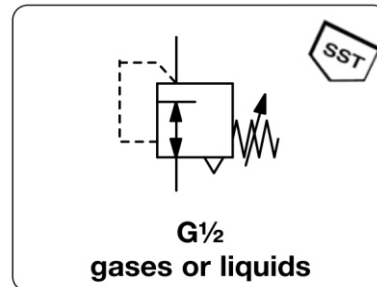


# R10-S - Régulateur de pression en acier inoxydable, de petites dimensions, pour air, gaz et liquides

<b>Description</b>	diaphragm-operated pressure regulator in small design
<b>Media</b>	compressed air, gases or liquids
<b>Supply pressure</b>	max. 21 bar
<b>Adjustment</b>	by plastic knob with snap-lock
<b>Relieving function</b>	relieving, optionally non-relieving
<b>Gauge port</b>	G $\frac{1}{4}$ on both sides of the body, screw plugs supplied
<b>Mounting position</b>	any
<b>Temperature range</b>	0 °C to 65 °C / 32 °F to 149 °F, for appropriately conditioned compressed air down to -30 °C / -22 °F 0 °C to 80 °C / 32 °F to 176 °F for spring cage made of fiberglass or stainless steel
<b>Material</b>	Body: stainless steel 316 Spring cage: glass fibre-reinforced plastic Elastomer: FKM Inner valve: stainless steel 316



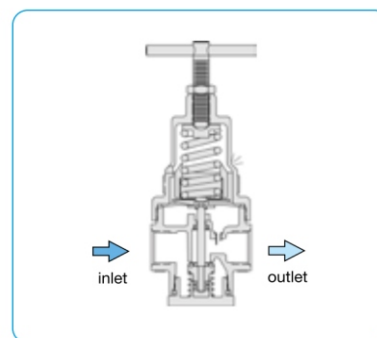
Dimensions			Description value	K <sub>v</sub> - rate (m <sup>3</sup> /h)	Flow thread m <sup>3</sup> /h*1 l/min*1	Connection range G	Pressure number bar	Order
A	B	C						

Stainless steel pressure regulator									supply pressure max. 21 bar	R10-S
60	124	35	relieving for compressed air	2.6	144	2400	G $\frac{1}{2}$	0.2...4.0	R10-04BS	
								0.3...9.0	R10-04CS	
								0.5... 17	R10-04DS	
60	124	35	non-relieving for liquids	2.6	2.6	43	G $\frac{1}{2}$	0.2...4.0	R10-04BSK	
								0.3...9.0	R10-04CSK	
								0.5... 17	R10-04DSK	



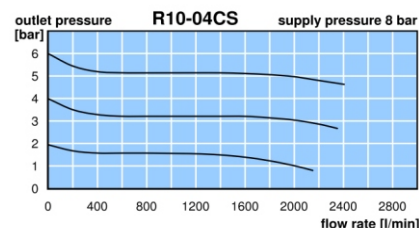
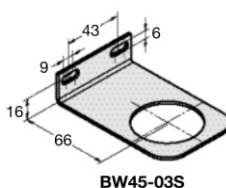
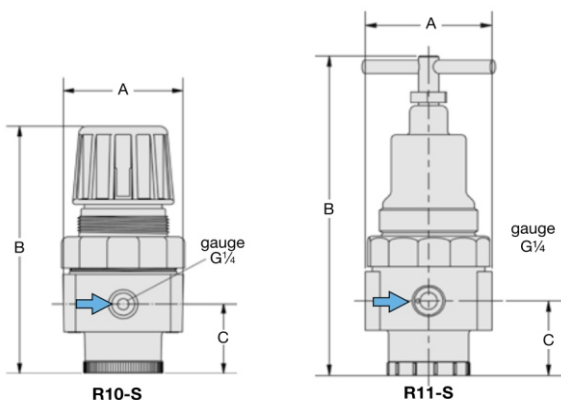
### Special options, add the appropriate letter

**spring cage made of SST** incl. SST-adjusting screw, total height= 154 mm R11-04 . .



### Accessories, enclosed

pressure gauge	Ø 50 mm, 0...*2 bar, G $\frac{1}{4}$	MS5002-..*2
mounting bracket		BW45-03S
mounting nut		M45X1,5S



\*1 at 8 bar supply pressure, 6 bar outlet pressure and 1 bar pressure drop  
\*2 02 = 0...2.5 bar, 04 = 0...4 bar, 10 = 0...10 bar, 16 = 0...16 bar, 25 = 0...25 bar