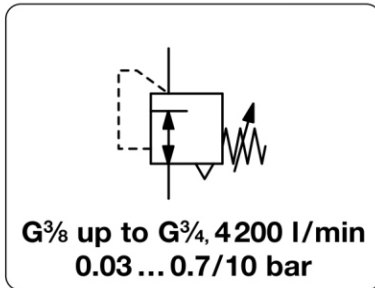


DB400 - Déverseur limiteur de pression de forte capacité

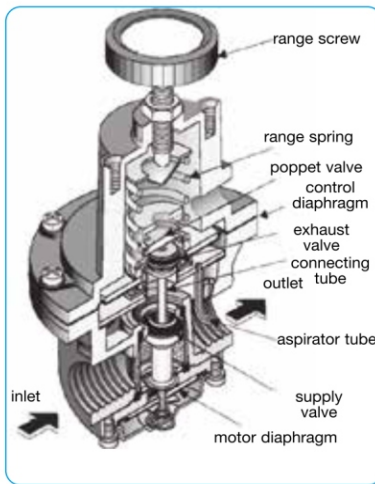
Description	Diaphragm back pressure regulators protect pneumatic devices against overpressure. If the pressure exceeds the setpoint, the pressure valve exhausts to the atmosphere until the pressure level is below the setpoint. It is advisable to select the pressure range as near as possible to the maximum setpoint.
Media	compressed air or non-corrosive gases
Overpressure	max. 17 bar
Adjustment	by handwheel with locknut
Gauge port	¼" NPT on both sides of the body, screw plugs supplied
Mounting position	any
Temperature range	0 °C to 90 °C / 32 °F to 194 °F , for appropriately conditioned compressed air down to -40 °C / -40 °F
Material	Body: aluminium die-cast Elastomer: NBR/Buna-N, optionally FKM Inner valve: stainless steel, brass, aluminium and cadmium-plated steel

Dimensions			Relief capacity l/min*1	Over-pressure max. bar	Connection thread G	Adjustment range bar	Order number
A	B	C					
mm	mm	mm					

Precision back pressure regulator							overpressure max. 17 bar	DB400
89	206	39	3800	17	G¾	0.03...0.7	DB400-031	
						0.03...2.0	DB400-03A	
						0.07...4.0	DB400-03B	
						0.15...10	DB400-03C	
89	206	39	4000	17	G½	0.03...0.7	DB400-041	
						0.03...2.0	DB400-04A	
						0.07...4.0	DB400-04B	
						0.15...10	DB400-04C	
89	206	39	4200	17	G¾	0.03...0.7	DB400-061	
						0.03...2.0	DB400-06A	
						0.07...4.0	DB400-06B	
						0.15...10	DB400-06C	

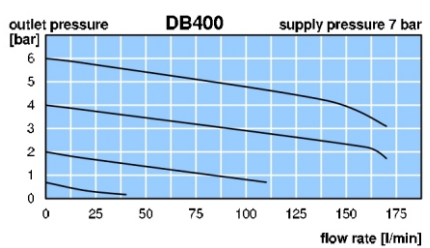
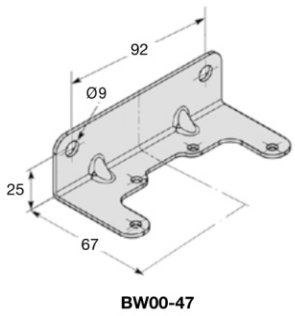
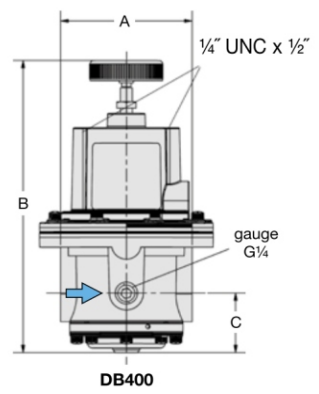


DB400



Special options, add the appropriate letter		
NPT	connection thread	DB400-0..N
tamper-proof cap	aluminium, adjustment by screwdriver, total height 295 mm	DB400-0..T
FKM elastomer		DB400-0..V

Accessories, enclosed		
pressure gauge	Ø 63 mm, 0...*2 bar, G¼	MA6302-..*2
gauge connection	made of brass, adapter ¼" NPT - G¼ female	AM-06
mounting bracket	made of steel	BW00-47



*1 at 7 bar inlet pressure and 1.4 bar outlet pressure
*2 01 = 0...1 bar, 02 = 0...2.5 bar, 04 = 0...4 bar, 10 = 0...10 bar, 25 = 0...25 bar

