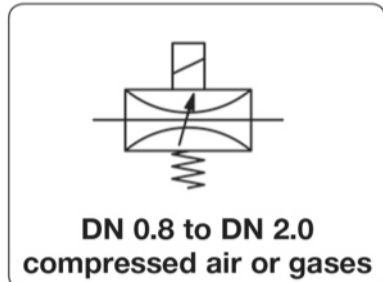


PV202 - Electrovanne miniature de régulation en débit

Description	The miniature flow valve is highly reliable and combines precise control of flow rate with compact design and only 80 g weight. It can be used for vacuum or pressure up to 12 bar. Plug amplifier required.		
Media	50 µm filtered compressed air, vacuum or non-corrosive gases		
Plug amplifier	Conversion of the analogue signal into a pulse-wide modulated current. Supply voltage: 24 V DC, max. 1.1 A Switchable signal: 0...10 V, 0...20 mA, 4...20 mA Close function: < 2% of max. signal		
Electrical connector	plug, contact gap 9.4 mm, 3-pin, with coupling socket (Pg 7P)		
Operating pressure	see chart, max. 10 bar		
Repeatability	< 3% FS		
Response sensitivity	< 2% FS		
Polarity	any for valve		
Mounting position	any		
Material	Body: brass Inner valve: stainless steel and brass	Elastomer: FPM Manifold: brass (M5), zinc die-cast (G½), polyamide (Ø4)	Adjustment: zero point and range Time ramp: 0.1 to 3 s selectable Frequency: 1000 Hz Life cycle: > 100 million cycles Linearity: < 8% FS Hysteresis: < 5% FS Protection class: IP 65 with coupling socket Temperature range: 0 °C to 50 °C / 32 °F to 122 °F



Description	Dimensions			K _v -value (m³/h)	Flow rate l/min*1	Operating pressure max. bar	Nominal size DN	Order number
	A	B	C					

Proportional flow valve	flangeable, for compressed air, 24 V DC, direct control, w/o amplifier	w/o manifold block,	with coupling socket, direct control, w/o amplifier	PV202				
				A	B	C	K _v -value	Flow rate
NC	15	48	53	0.0012	0... 1	10	0.2	PV202-002
				0.0048	0... 5	10	0.4	PV202-004
				0.0096	0... 11	10	0.6	PV202-006
				0.0180	0... 20	10	0.8	PV202-008

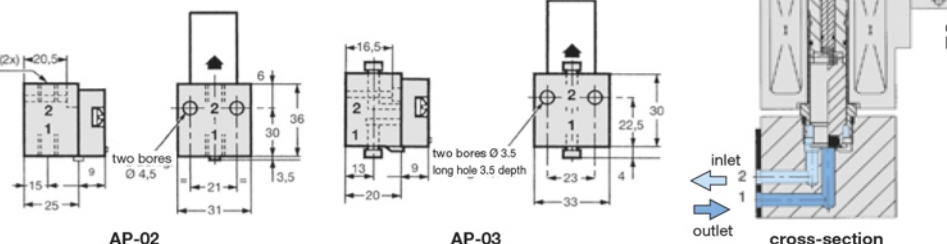
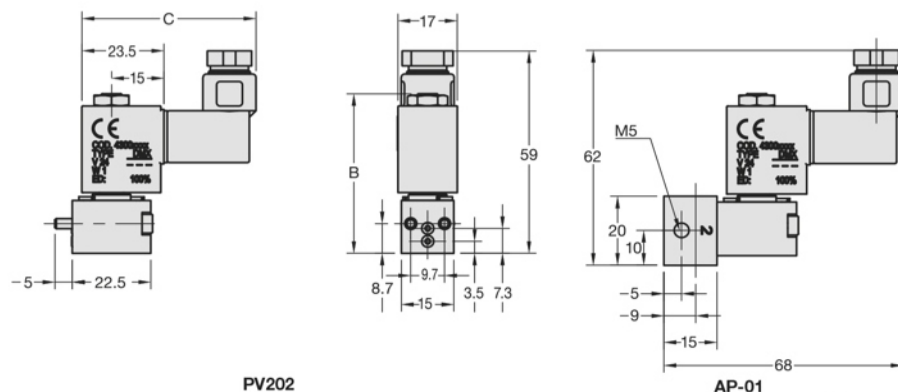


Special options, add the appropriate letter

12 V DC voltage signal PV202-0..V

Accessories, enclosed

- | | | |
|------------------|--|--------|
| plug amplifier | 24 V DC, switchable 0-10 V, 0-20 mA, 4-20 mA | PVY-05 |
| manifold block | M5 | AP-01 |
| | G½ | AP-02 |
| | Ø4 | AP-03 |
| in-line manifold | Ø4 | AP-04 |
| | G½ | AP-05 |



*1 operating pressure 6 bar and $\Delta p = 1$ bar

