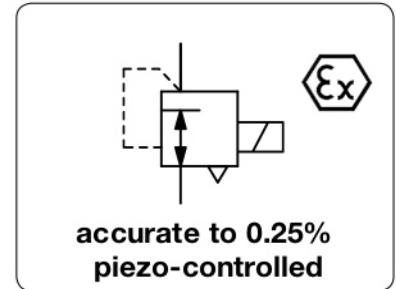


PT7 - Vanne proportionnelle de contrôle de pression, pour air comprimé, et gaz neutres, ATEX, de sécurité intrinsèque

Description	The proportional valve translates a direct current or voltage signal into a linear proportional pneumatic outlet signal. With rapid response controls using low-powered piezo microelectronics, flapper nozzle and solid state control circuit. The proportional valve has internal electronic with an electrical feedback sensor and is housed in NEMA4X (IP65) enclosure with six outlet ranges, jumper selectable. Input and outlet ports on both ends of the body simplify pneumatic piping.
Media	5 µm filtered compressed air or non-corrosive gases
Supply voltage	7...30 V DC, 90 mW, required for 0...10 V setpoint input only, with reverse voltage protection plug according to DIN 43650A, contact gap 18 mm, 3-pin, with coupling socket 30 x 30 mm
Electrical connector	0...10 V / 10 kΩ, 3-pin, 24 V DC supply voltage, exhaust at power breakdown
Command signal	4...20 mA / 330 Ω, two-wire, min. 7 V DC on input
Failsafe	
Linearity	< 0.25% FS
Hysteresis	< 0.1% FS at 0.2...0.5 bar, otherwise < 0.25% FS
Adjustment	Zero point: by 0.3 bar Range: 40% FS
Temperature range	-40 °C to 70 °C / -40 °F to 158 °F
Material	Body: chromated aluminium Nozzle: sapphire in nickel-plated brass plate Inner valve: stainless steel, brass, zinc-plated steel
	Response sensitivity < 0.2% FS Repeatability < 0.1% FS Vibration sensitivity < 1% FS, for 10 g and 15...500 Hz Mounting position any Protection class IP 65 Elastomer: NBR/Buna-N

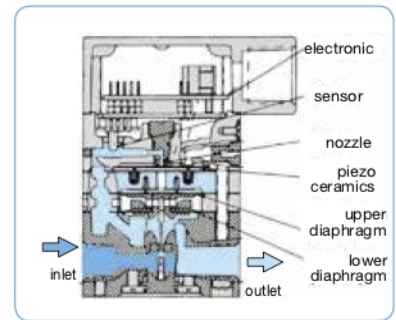


Dimensions			Flow rate	Supply pressure	Command signal	Pressure range	Order number
A	B	C					

Proportional pressure regulator 0-10 V			¼" NPT, air consumption 2...8 l/min subject to pressure range	PT780			
57	95	13			250	8	0-10 V
57	133	13	300	10	0-10 V	0...2 0...4 0...8	PT780-0200 PT780-0400 PT780-0800

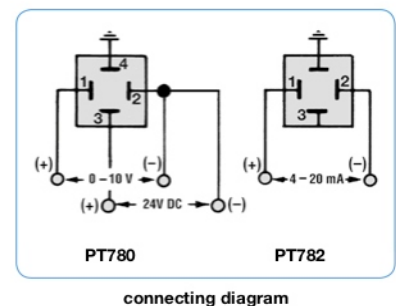
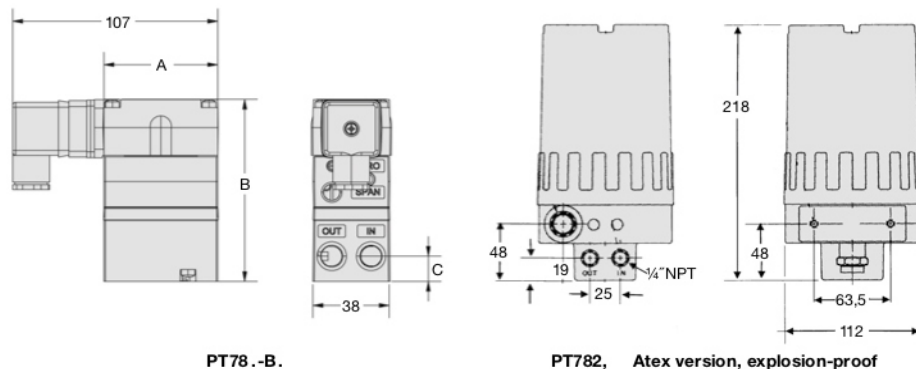
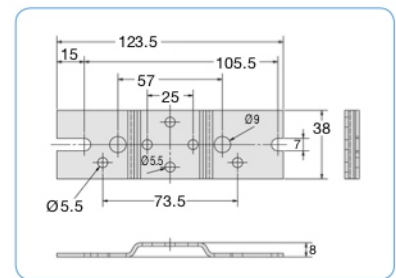


Proportional press. regulator 4-20 mA			¼" NPT, air consumption 2...8 l/min subject to pressure range	PT782			
57	95	13			250	8	4-20 mA
57	133	13	300	10	4-20 mA	0...2 0...4 0...8	PT782-0200 PT782-0400 PT782-0800



Special options, change the appropriate number				
⊕-i-Atex	Atex II 1G Ex ia IIB T4		4-20 mA only	PT782-..01
⊕-d-Atex	Atex ds IIC T6	max. 2 bar	4-20 mA only	PT782-..0E

Accessories, enclosed				
mounting bracket	made of steel, for standard version		SA-PT1	
	made of steel, for DIN rail		SA-PT2	
mounting clip	made of steel, Atex version, explosion-proof		SA-PT3	
isolate transmitter	Ex ia II C E/A: 0...20 mA, 24 V DC, EX 1-32		KFD2-CD	



*1 at 7 bar supply pressure and 1.4 bar outlet pressure

