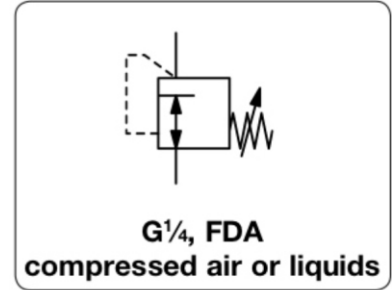


R91 - Régulateur de pression, léger, compact, certifié FDA

Compatible air, eau alimentaire, équipement médical de dialyse

| | | | |
|---------------------------|--|---|--|
| Description | Diaphragm miniature pressure regulator of small and lightweight design. All fluid-contact parts of R91-.K are approved by the FDA. | | |
| Application area | food industry and water circulation, e.g. for dialysis devices | | |
| Media | compressed air, non-corrosive gases, deionized water or other liquids. | | |
| Supply pressure | max. 10 bar | Adjustment by plastic knob with snap-lock | |
| Relieving function | non-relieving for drinking water (FDA), relieving for compressed air | | |
| Gauge port | G $\frac{1}{8}$ on both sides of the body | Mounting position any | |
| Temperature range | 0 °C to 60 °C / 32 °F to 140 °F | | |
| Material for | drinking water | compressed air | |
| | Body: | acetal | acetal |
| | Elastomer: | acetal and nylon-reinforced nitrile NBR/Buna-N | acetal and nylon-reinforced nitrile not FDA-approved brass, nitrile and NBR/Buna-N |
| | Valve and o-ring: | stainless steel and EPDM, FDA-approved | |



| Dimensions | | | Flow rate | | Connection thread G | Pressure range bar | Order number |
|------------|---|---|------------------|----------------|---------------------------|--------------------------|-----------------|
| A | B | C | water l/min*1 | air l/min*1 | | | |

| | | | | | | | |
|--|----|----|---|-----|-----------------|---------------------------------------|-----------------|
| Press. regulator w. FDA approval for drinking water | | | | | | P: max. 10 bar, EPDM non-relieving | R91-K |
| 42 | 76 | 11 | 6 | 380 | G $\frac{1}{4}$ | 0.1 ... 3.5 | R91-02BK |
| | | | | | | 0.1 ... 8.5 | R91-02CK |

| | | | | | | | |
|--|----|----|--|-----|---|-------------|----------------|
| Press. regulator for compressed air | | | | | P: max. 10 bar, NBR/Buna-N relieving | R91 | |
| 42 | 76 | 11 | | 380 | G $\frac{1}{4}$ | 0.1 ... 3.5 | R91-02B |
| | | | | | | 0.1 ... 8.5 | R91-02C |



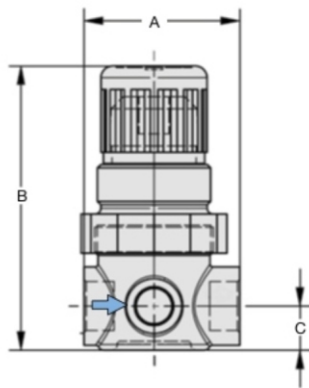
R91

Special options, add the appropriate letter

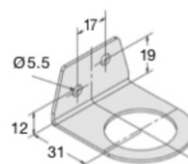
| | | |
|------------|-------------------|-------------------|
| NPT | connection thread | R91-02 . N |
|------------|-------------------|-------------------|

Accessories, enclosed

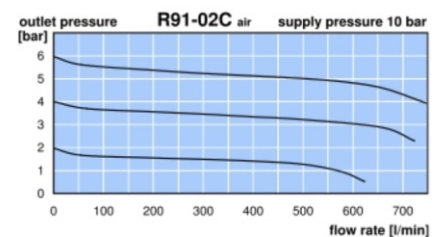
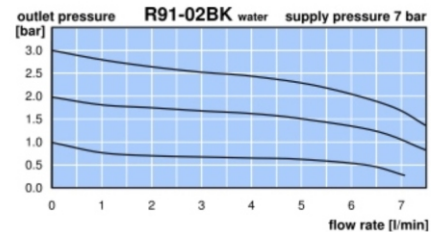
| | | | |
|-------------------------|--------------------------|-------------|------------------|
| pressure gauge | Ø 40 mm, G $\frac{1}{8}$ | 0... 4 bar | MA4001-04 |
| | | 0... 10 bar | MA5002-10 |
| mounting bracket | made of steel | | BW30-02 |
| mounting nut | made of plastic | | M30x1,5K |
| | made of aluminium | | M30x1,5A |



R91



BW30-02



*1 supply pressure 1 bar above outlet pressure