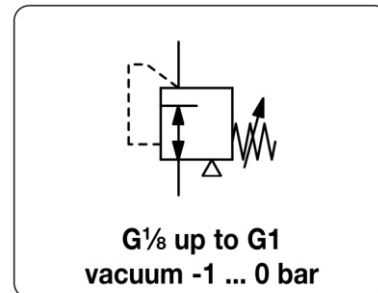


V04 - V05 - Clapet de régulation de dépression pour réserve de vide

Description	When these valves reach a certain precalibrated vacuum degree, they introduce atmospheric air into the circuit to prevent the increase of the actual value and keep it constant.	
Application	They are used as safety valves on non-commissioned tanks or containers at high vacuum level and on vacuum cup lifting systems.	
Media	compressed air or non-corrosive gases	
Adjustment	V04: by rotating the spindle with lock nut in both directions V05: by knurled head screw or adjusting knob on spindle with fine thread	
Mounting position	any	
Temperature range	-20 °C to 80 °C / -4 °F to 176 °F	
Material	Body: nickel-plated brass Elastomer: NBR/Buna-N	Inner valve: spring steel and brass



Dimensions			Flow rate		Connection thread	Vacuum-range	Order number
A	B	SW	m ³ /h	l/min	G	bar	

Vacuum adjustment valve						Vacuum regulator with external leakage	V04
45	7	12	4	60	G ¹ / ₈	-1 ... -0.3	V04-01
57	15	24	20	330	G ¹ / ₂	-1 ... -0.3	V04-04
60	12	30	40	660	G ³ / ₄	-1 ... -0.3	V04-06
65	12	35	70	1100	G1	-1 ... -0.3	V04-08

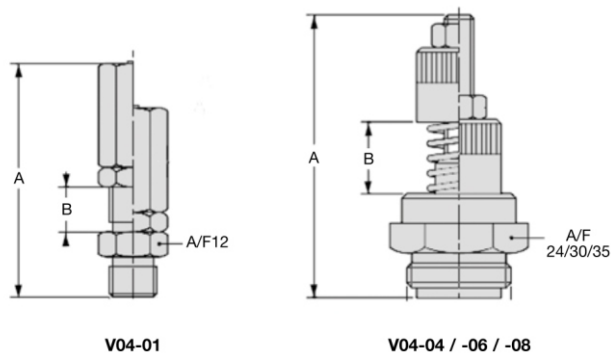


V04-01 V04-04

Vacuum adjustment valve, precise						Vacuum regulator with external leakage	V05
63	26	25	4	260	G ¹ / ₄	-1 ... 0	V05-02
82	52	32	20	700	G1	-1 ... 0	V05-08



V04-06 V04-08

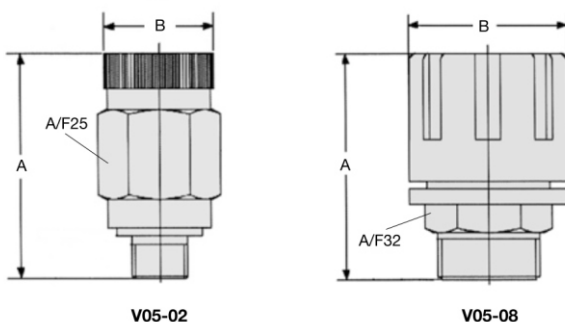


V04-01

V04-04 / -06 / -08



V05-02 V05-08



V05-02

V05-08

