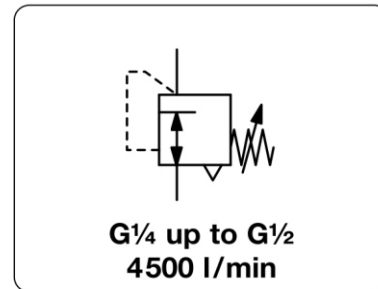


R03 - Régulateur de pression de précision à fort débit et forte capacité de décompression, avec consommation.

Description	Regulator provides precision regulation in high flow and high relief applications. The regulator is silicone-free and suitable for panel mounting.	
Media	oil-free and 5 µm filtered compressed air or non-corrosive gases	
Supply pressure	max. 16 bar	
Accuracy	at supply pressure change from 2 bar to 7 bar: < 6 mbar pressure deviation at volume flow change from 0 l/min to 20 l/min: < 20 mbar pressure deviation response sensitivity: < 4 mbar	
Air consumption	< 1.5 l/min at P _i = 5 bar, < 2 l/min at P _i = 7 bar, < 4 l/min at P _i = 10 bar, < 1% of volume flow	
Adjustment	by handwheel with locknut, suitable for panel mounting	
Relieving function	relieving	
Relief capacity	700 l/min at 6 bar outlet and 0.35 bar overpressure above setpoint	
Gauge port	G $\frac{1}{4}$ on both sides of the body, one screw plug supplied	Mounting position any
Temperature range	0 °C to 60 °C / 32 °F to 140 °F, for appropriately conditioned compressed air down to -35 °C / -31 °F	
Material	Body: zinc die-cast	Elastomer: NBR/Buna-N



Dimensions			K _v - value	Flow rate	Connection thread	Pressure range	Order number
A	B	C					
mm	mm	mm	(m ³ /h)	m ³ /h*1	l/min*1	G	bar

Precision pressure regulator					supply pressure max. 16 bar, relieving, with constant bleed	R03		
82	200	41	2.1	198	3300	G $\frac{1}{4}$	0.01 ... 3 0.02 ... 5 0.04 ... 7 0.05 ... 10	R03-02A R03-02B R03-02C R03-02D
82	200	41	2.4	228	3800	G $\frac{3}{8}$ *3	0.01 ... 3 0.02 ... 5 0.04 ... 7 0.05 ... 10	R03-03A R03-03B R03-03C R03-03D
82	200	41	2.9	270	4500	G $\frac{1}{2}$	0.01 ... 3 0.02 ... 5 0.04 ... 7 0.05 ... 10	R03-04A R03-04B R03-04C R03-04D



R03

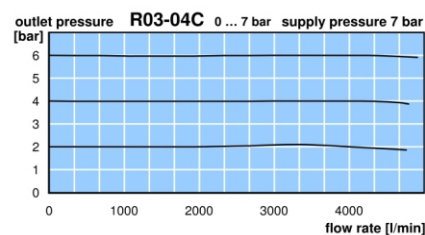
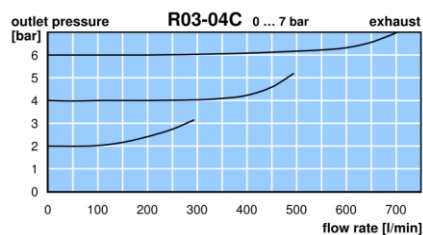
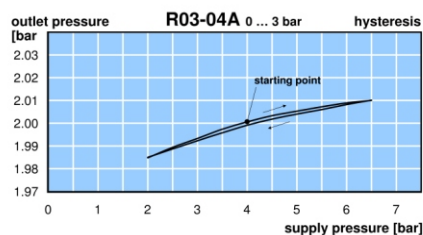
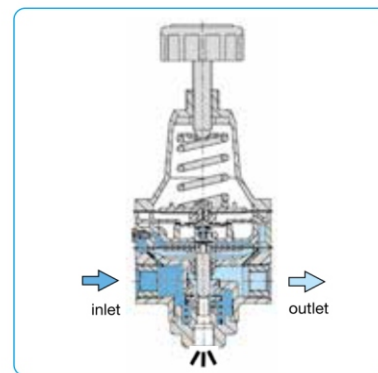
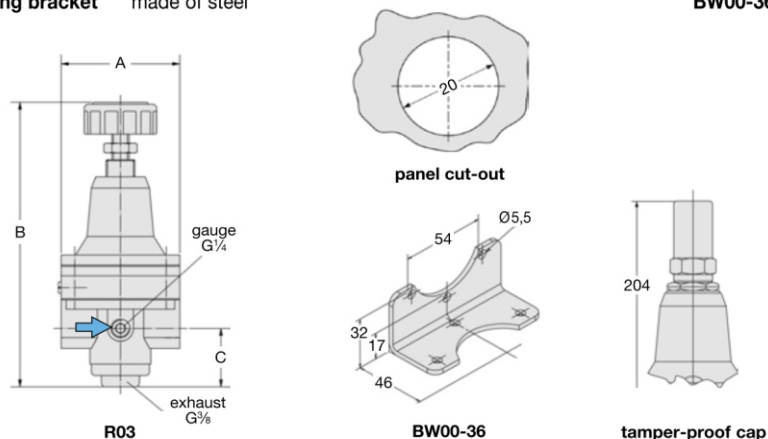
Special options, add the appropriate letter

tamper-proof cap total height 204 mm R03-0...T

Accessories, enclosed

pressure gauge Ø 50 mm, 0...*2 bar, G $\frac{1}{4}$ MA5002-...*2

mounting bracket made of steel BW00-36



*1 at 7 bar supply pressure and 6 bar outlet pressure
*2 04 = 0...4 bar, 06 = 0...4 bar, 10 = 0...10 bar

*3 standard unit G $\frac{1}{2}$ is reduced to smaller threads by fittings