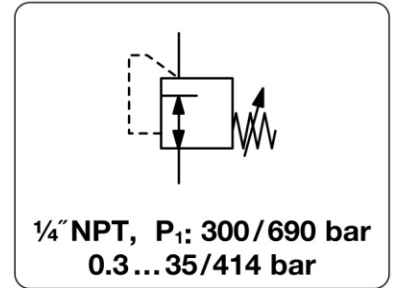


# HP300 - HP400 - Régulateur haute pression pour air comprimé, gaz neutres et liquides, option oxygène possible, corps laiton ou acier inoxydable, 690 bar

<b>Description</b>	Piston-operated high pressure regulator HP300 / HP400 are marked by high flow and great reliability.	
<b>Media</b>	compressed air, non-corrosive gases or liquids	
<b>Supply pressure</b>	max. 690 bar at HP300,	max. 414 bar at HP400
<b>Accuracy</b>	at supply pressure variation of 7 bar: < 5 mbar pressure deviation at HP300, < 250 mbar pressure deviation at HP400	
<b>Adjustment</b>	by black plastic knob	
<b>Relieving function</b>	non-relieving, optionally relieving	
<b>Mounting position</b>	any	
<b>Temperature range</b>	-5 °C to 75 °C / 23 °F to 167 °F for HP300	-25 °C to 75 °C / -13 °F to 167 °F for HP400
<b>Material</b>	Body: brass, optionally stainless steel (spring cage brass), stainless steel completely on request	
	Seals: NBR at HP300 (relieving), FKM at HP300 (non-relieving) / HP400	
	Spring cage: brass at HP300, nickel-plated at HP400	
	Valve seat: Vespel at HP300 / HP400 (relieving), Teflon PFA at HP400 (non-relieving)	
	Inner valve: stainless steel	
<b>Leakage rate</b>	< 10 <sup>-4</sup> mbar l/s He	
<b>Gauge port</b>	¼" NPT for inlet / outlet pressure, shifted by 70°	



Dimensions			K <sub>v</sub> -value (m <sup>3</sup> /h)	Flow rate		Connection thread NPT	Pressure range bar	Order number
A	B	C		m <sup>3</sup> /h*1	l/min*1			

High pressure regulator 414 bar			non-relieving, brass		HP300			
55	175	19	0.05	90	1500	¼" NPT	0.3 ... 35 0.6 ... 55 0.7 ... 104 1.0 ... 172 1.7 ... 276 3.4 ... 414	HP300-035 HP300-055 HP300-105 HP300-175 HP300-280 HP300-415



HP300

High pressure regulator 414 bar			non-relieving, brass		HP400			
50	137	13	0.05	90	1500	¼" NPT	0.7 ... 104 1.0 ... 172	HP400-104 HP400-170



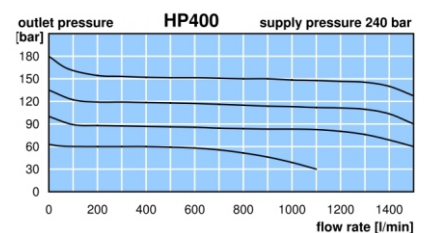
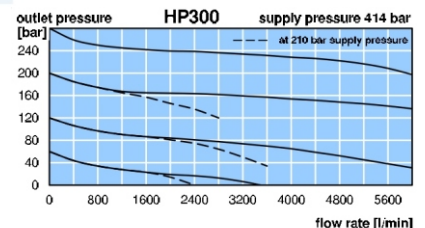
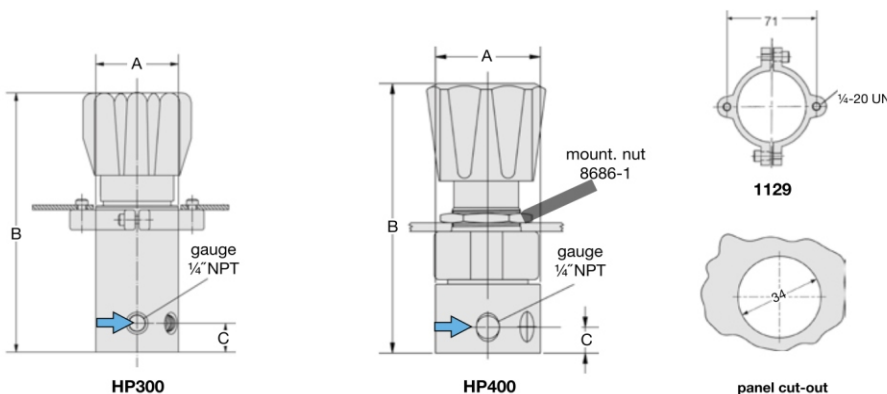
HP400

## Special options, add the appropriate letter

relieving				HP300-...R
				HP400-...R
body made of SST		(690 bar)		HP300-...S
		(414 bar)		HP400-...S
for oxygen	pecially cleaned,	P <sub>1</sub> < 300 bar	for HP300/400	HP.00-...15
for liquids	w/o filter at inlet, valve seat of Nylatron		for HP300	HP300-...W
	w/o filter at inlet, valve seat of Vespel		for HP400	HP400-...W
brass pressure gauge	for brass body, inlet side			HP.00-...HM
	for brass body, outlet side			HP.00-...GM
SST pressure gauge	for stainless steel body, inlet side			HP.00-...H
	for stainless steel body, outlet side			HP.00-...G

## Accessories, enclosed

set of mounting brackets	aluminium	for HP300	1129
mounting nut	for panel mounting, made of stainless steel	for HP400	8686-1



\*1 at 240 bar supply pressure and 30 bar outlet pressure