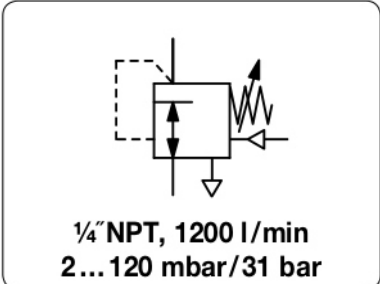


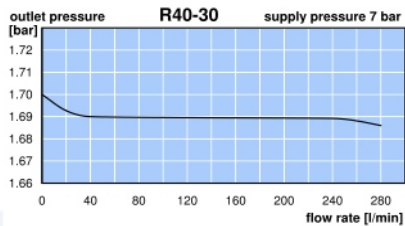
# R40 - Régulateur basse pression de précision, à double étage et consommation permanente. Compatible air et gaz non corrosifs. Raccordement NPT

<b>Description</b>	Highly sensitive, two-step precision pressure regulator working in the flapper-nozzle principle. Solid construction for low-maintenance operation with compressed air or non-corrosive gases.
<b>Booster version</b>	In option A version the regulator can also be controlled by pilot pressure up to 7 bar in addition to range spring control. Thereby the regulator becomes a volume booster with double loop, parallel zero point shift
<b>Supply pressure</b>	minimum: 0.3 bar above outlet pressure maximum: see chart
<b>Air consumption</b>	Constant bleed only when flow is circulating. The greater the difference between supply and outlet pressure the greater is the air consumption, e.g. 9 bar inlet and 7 bar outlet resulting in 3 l/min air consumption.
<b>Exhaust</b>	50 l/min at 1.7 bar outlet pressure and 20 mbar overpressure to outlet pressure
<b>Pressure stability</b>	10 mbar pressure drop when changing flow rate from "0" to "max".
<b>Setting accuracy</b>	< 0.03 % outlet pressure. Ten adjusting knob turns for the setting of the whole adjustment range.
<b>Gauge port</b>	1/4" NPT on both sides, screw plugs supplied
<b>Temperature range</b>	Operating pressure: -4 °C to 80 °C / 25 °F to 176 °F Storage temperature: -20 °C to 100 °C / -4 °F to 212 °F
<b>Temperature sensitivity</b>	1 % pressure deviation at temperature change of 30 K, 0.1 % deviation for isotherm spring (please inquire)
<b>Material</b>	fluid-contact: brass, stainless steel, neoprene, aluminium and zinc



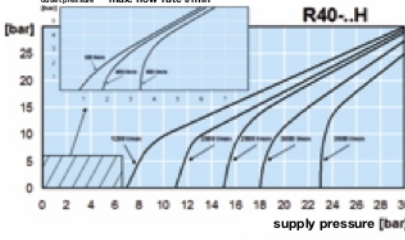
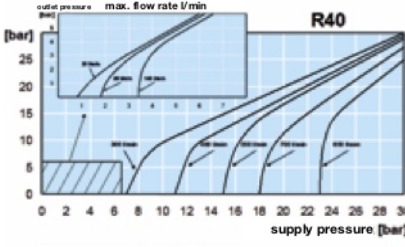
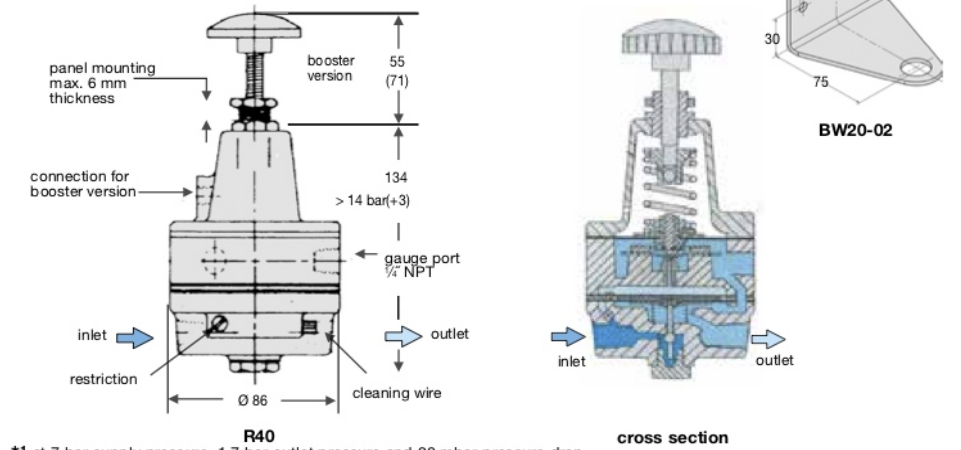
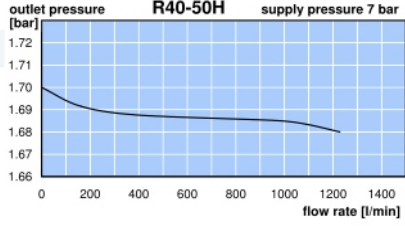
Dimensions		Flow rate	Supply pressure recommended	Supply pressure max.	Connection thread	Pressure range	Order number
Höhe	Ø						
mm	mm	l/min*1	bar*2	bar	NPT	mbar / bar	

Precision regulator "Nullmatic"							K <sub>v</sub> = 0.16 K <sub>v</sub> = 0.66 for version „H“	R40
189	86	300	0.7	1.7	1/4" NPT	2...120 mbar	<b>R40-2</b>	
189	86	300	3.5	7	1/4" NPT	10...500 mbar	<b>R40-7</b>	
189	86	300	5	10	1/4" NPT	0.03 ... 1 bar	<b>R40-15</b>	
189	86	300	8	10	1/4" NPT	0.07 ... 2 bar	<b>R40-30</b>	
189	86	300	8	10	1/4" NPT	0.07 ... 3.5 bar	<b>R40-50</b>	
189	86	1200	8	10	1/4" NPT	0.07 ... 3.5 bar	<b>R40-50H</b>	
189	86	300	10	35	1/4" NPT	0.1 ... 7 bar	<b>R40-100</b>	
189	86	1200	10	35	1/4" NPT	0.1 ... 7 bar	<b>R40-100H</b>	
192	86	300	17	35	1/4" NPT	0.2 ... 14 bar	<b>R40-200</b>	
192	86	300	24	35	1/4" NPT	0.5 ... 21 bar	<b>R40-300</b>	
192	86	300	35	35	1/4" NPT	1 ... 31 bar	<b>R40-450</b>	



**Special options,** add the appropriate letter  
**volume booster** version: up to max. 7 bar pilot pressure **R40A-...**

**Accessories,** enclosed  
**pressure gauge** Ø 50 mm, 0...\*2 bar, G1/4 **MA5002-..\*3**  
**pressure gauge** Ø 63 mm, 0... 160 mbar, G1/4. connection parts required for R40-2 **MA6302-C2**  
**gauge connectors** for NPT ports, adapter 1/4" NPT to G1/4 female **VP-0202N**  
**mounting bracket** **BW20-02**



\*1 at 7 bar supply pressure, 1.7 bar outlet pressure and 20 mbar pressure drop  
 \*2 lowest outlet pressure will only be reached when applying the recommended inlet pressure  
 \*3 01 = 0...1 bar, 02 = 0...2.5 bar, 04 = 0...4 bar, 10 = 0...10 bar, 16 = 0...16 bar, 25 = 0...25 bar, 60 = 0...60 bar