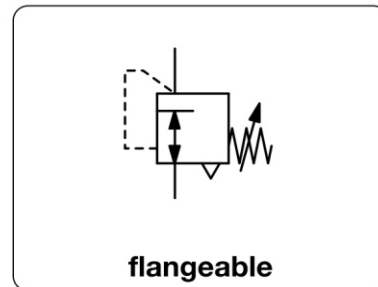


R308 - Régulateur de pression, montage en applique

Ideal pour systèmes portatifs, possible pour oxygène

Description	Precision pressure regulator, made of plastic, with diaphragm, with tamper-proof knob and without constant bleed. Excellent for portable systems thanks to small size and light weight of only 70 g.
Media	compressed air or non-corrosive gases
Supply pressure	max. 10 bar
Adjustment	by plastic knob with snap-lock
Relieving function	relieving, optionally non-relieving
Gauge port	not available
Mounting position	any
Temperature range	0° C to 60 °C / 32 °F to 140 °F
Material	Body: POM Elastomer: NBR/Buna-N Inner valve: brass



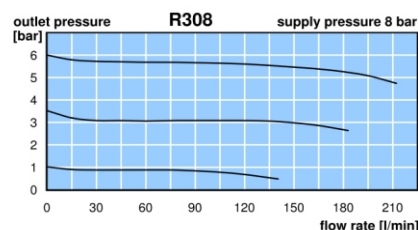
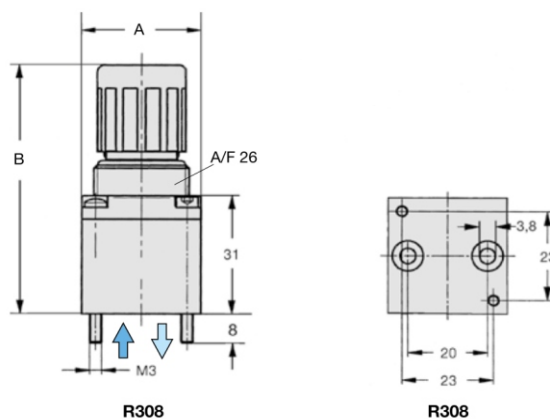
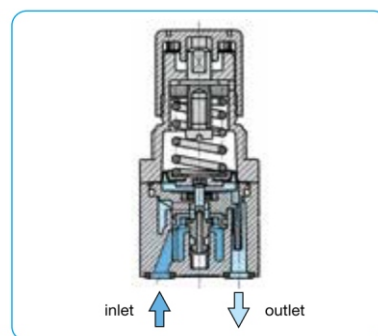
Dimensions		Flow rate	Supply pressure	Connection	Pressure range	Order number
A	B					
mm	mm	l/min*1	max. bar	flange	bar	

Precision regulator with flange				supply pressure max. 10 bar, relieving, without constant bleed	R308
30	64	200	10	flange	0 ... 0.25 R308-P00
					0.2 ... 2.5 R308-P0B
					0.2 ... 3.5 R308-P0C
					0.2 ... 8.0 R308-P0D



Special options, add the appropriate letter

non-relieving	without relieving function	R308-P0. K
or oxygen	specially cleaned, with oxygen grease	R308-P0. K15



*1 for compressed air: 8 bar supply pressure, 6 bar outlet pressure and 1 bar pressure drop