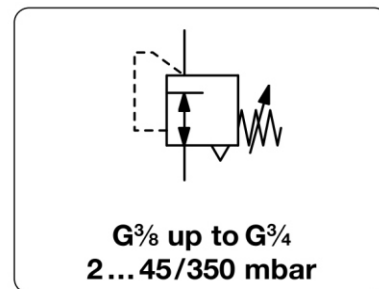


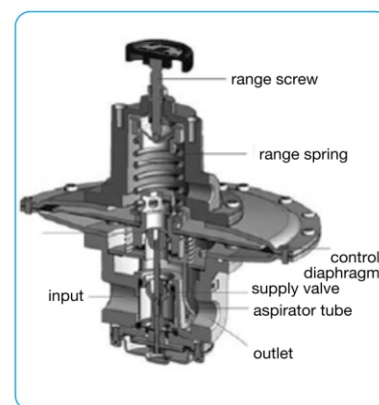
R4100 - Régulateur basse pression, de précision, sans consommation, très sensible, pour air comprimé et gaz neutres.

Description	High precision diaphragm pressure regulator with high flow, without zero shut-off (counterpressure is required).
Media	compressed air or non-corrosive gases
Supply pressure	max. 10 bar
Accuracy	sensitivity < 2 mbar
Air consumption	without constant bleed
Adjustment	by handwheel with locknut
Relieving function	relieving
Gauge port	G $\frac{1}{4}$ on both sides of the body, screw plug supplied
Mounting position	any
Temperature range	0 °C to 90 °C / 32 °F to 194°F, for appropriately conditioned compressed air down to -40 °C / -40 °F
Material	Body: aluminium die-cast Elastomer: NBR/Buna-N Inner valve: stainless steel, brass, aluminium and steel



Dimensions			K _v -value (m ³ /h)	Flow rate		Connection thread G	Pressure range mbar	Order number
A	B	C		m ³ /h*1	l/min*1			

Precision low pressure regulator							P1: max. 10 bar, relieving, without constant bleed	R4100	
87	219	40	0.24	30	500	G $\frac{3}{8}$	2... 45	R4100-03A	
							2... 95	R4100-03B	
							5...210	R4100-03C	
							5...350	R4100-03D	
87	219	40	0.27	36	600	G $\frac{1}{2}$	2... 45	R4100-04A	
							2... 95	R4100-04B	
							5...210	R4100-04C	
							5...350	R4100-04D	
87	219	40	0.30	42	700	G $\frac{3}{4}$	2... 45	R4100-06A	
							2... 95	R4100-06B	
							5...210	R4100-06C	
							5...350	R4100-06D	

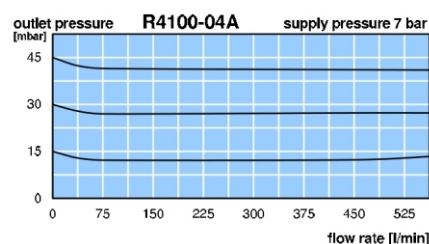
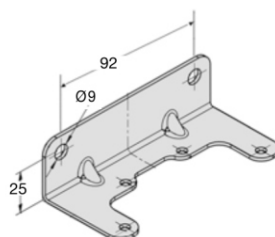
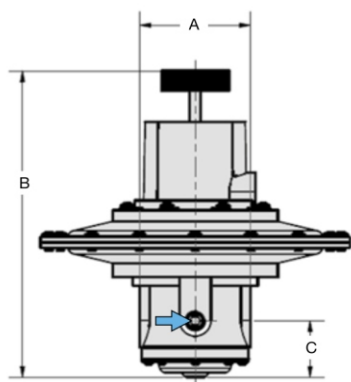


Special options, add the appropriate letter

NPT	connection thread	R4100-... N
tapped exhaust	connection thread G $\frac{1}{4}$	R4100-... X12
tamper-proof cap	made of aluminium, adjustment by screwdriver, height 295 mm	R4100-... T
FKM elastomer		R4100-... V
flange connection	see chapter for stainless steel devices / flanges	R4100-... F .

Accessories, enclosed

pressure gauge	Ø 63 mm, 0...*2 mbar, G $\frac{1}{4}$	MA6302-...*2
mounting bracket	made of steel	BW00-47



*1 at 10 bar supply pressure and max. outlet pressure *2 B6 = 0...60 mbar, C2 = 0...160 mbar, C3 = 0...250 mbar, C4 = 0...400 mbar