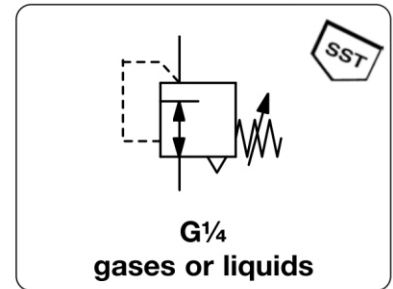


# R364S - Régulateur de pression compact, G1/4"

## Air, gaz et liquides. FKM, corps en acier inoxydable 316L

<b>Description</b>	diaphragm-operated pressure regulator in small design
<b>Media</b>	compressed air, gases or liquids
<b>Supply pressure</b>	max. 21 bar
<b>Adjustment</b>	by plastic knob with snap-lock, by hexagonal spindle at R354
<b>Relieving function</b>	relieving, optionally non-relieving
<b>Gauge port</b>	G $\frac{1}{4}$ on both sides of the body, screw plugs supplied
<b>Mounting position</b>	any
<b>Temperature range</b>	0 °C to 65 °C / 32 °F to 149 °F, for appropriately conditioned compressed air down to -30 °C / -22 °F
<b>Material</b>	Body: stainless steel 316 Spring cage: glass fibre-reinforced plastic at R364, stainless steel 316 at R354, optionally fibreglass at R364 Elastomer: FKM Inner valve: stainless steel 316



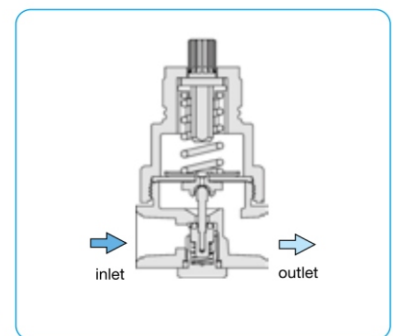
Dimensions			Description	K <sub>v</sub> -value (m <sup>3</sup> /h)	Flow rate m <sup>3</sup> /h*1 l/min*1	Connection thread G	Pressure range bar	Order number
A	B	C						

Stainless steel pressure regulator			supply pressure max. 21 bar			R364-S			
35	75	13	relieving for compressed air	0.4	27	450	G $\frac{1}{4}$	0.2 ... 1.8 0.2 ... 4.0 0.3 ... 9.0	R364-02AS R364-02BS R364-02CS
35	75	13	non-relieving for liquids	0.4	0,4	6	G $\frac{1}{4}$	0.2 ... 1.8 0.2 ... 4.0 0.3 ... 9.0	R364-02ASK R364-02BSK R364-02CSK

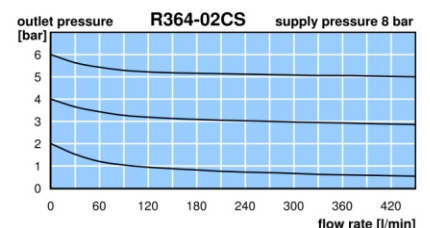
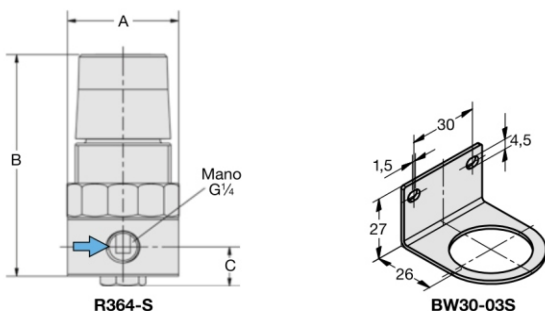


**Special options, add the appropriate letter**

free of oil and grease	specialy cleaned	R3.4-0...L
------------------------	------------------	------------



Accessories, enclosed		
pressure gauge	Ø 40 mm, 0...*2 bar, G $\frac{1}{4}$	MS4002-...*2
mounting bracket		BW30-03S
mounting nut	made of stainless steel	M30x1,5S
	made of plastic	R05X51



\*1 at 8 bar supply pressure, 6 bar outlet pressure and 1 bar pressure drop  
\*2 02 = 0...2.5 bar, 04 = 0...4 bar, 10 = 0...10 bar, 16 = 0...16 bar, 25 = 0...25 bar