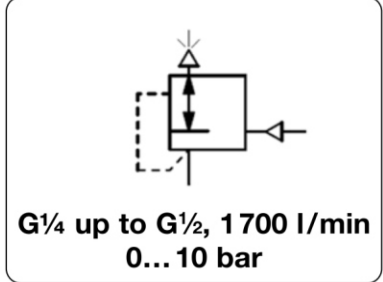


# DB208 - Déverneur de pression piloté, à commande pneumatique, pour air comprimé et gaz neutres

<b>Description</b>	Diaphragm back pressure regulators protect pneumatic devices against overpressure. If the pressure exceeds the setpoint, the pressure valve exhausts to the atmosphere until the pressure level is below the setpoint. It is advisable to select the pressure range as near as possible to the maximum setpoint.		
<b>Media</b>	compressed air or non-corrosive gases		
<b>Overpressure</b>	max. 17 bar	<b>Pilot pressure</b>	0 ... 10 bar
<b>Accuracy</b>	1% at 7 bar pilot pressure	<b>Response sensitivity</b>	1 mbar
<b>Adjustment</b>	depending on the level of signal pressure the response value will change accordingly		
<b>Gauge port</b>	¼" NPT on both sides of the body , screw plugs supplied	<b>Mounting position</b>	any
<b>Temperature range</b>	0 °C to 90 °C / 32 °F to 194 °F , for appropriately conditioned compressed air down to -40 °C / -40 °F		
<b>Material</b>	Body: aluminium die casting O-rings: NBR/Buna-N, optionally FKM	Elastomer:	NBR/Buna-N Inner valve: brass and zinc-plated steel



Dimensions			Relief capacity	Over-pressure	Adjustment range	Connection thread	Order number
A	B	C	l/min*1	max. bar	bar	G	
mm	mm	mm					

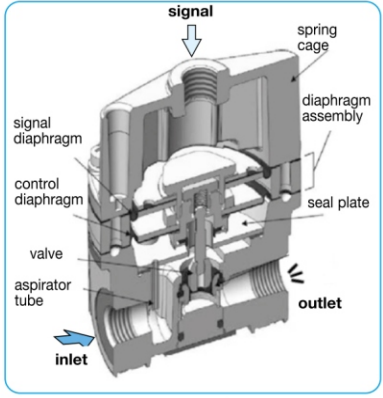
Back pressure regulator, pilot-operated					pilot pressure overpressure	0...10 bar max. 17 bar	DB208
76	98	24	1700	17	0...10	G¼	<b>DB208-02</b>
						G¾	<b>DB208-03</b>
						G½	<b>DB208-04</b>



DB208

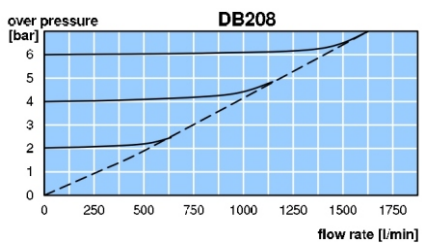
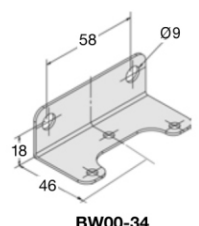
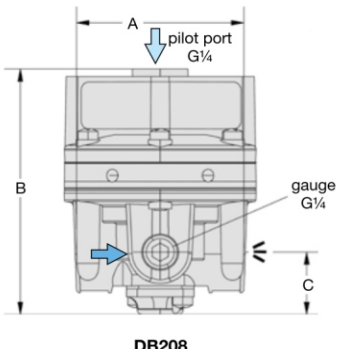
### Special options, add the appropriate letter

<b>NPT</b>	connection thread	<b>DB208-0.N</b>
<b>FKM elastomer</b>		<b>DB208-0.V</b>



### Accessories, enclosed

<b>pressure gauge</b>	Ø 50 mm, 0...*2 bar, G¼	<b>MA5002-..*2</b>
<b>gauge connection</b>	made of brass, adapter ¼" NPT - G¼ female	<b>AM-06</b>
<b>mounting bracket</b>	made of steel	<b>BW00-34</b>



\*1 at 7 bar inlet pressure and open outlet  
\*2 02 = 0...2.5 bar, 04 = 0...4 bar, 06 = 0...6 bar, 10 = 0...10 bar

