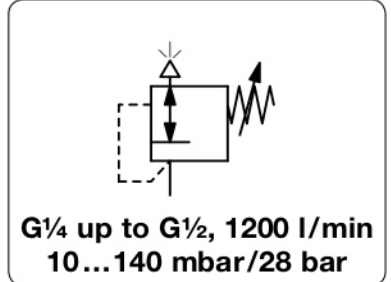


10BP - Déverseur de précision, à fort débit, raccordement G1/4", Viton

Description	The back pressure regulator is a high-flow, high-precision pneumatic relief valve with adjustable setpoint. It provides protection against overpressure in the downstream section of pneumatic systems. A convoluted diaphragm provides the sensitivity for venting to the atmosphere in response to the slightest upstream change.
Media	compressed air or non-corrosive gases
Overpressure	max. 21 bar up to pressure range of 14 bar, max. 35 bar beyond
Adjustment	by handwheel with locknut
Gauge port	G $\frac{3}{4}$ on both sides of the body, screw plugs supplied
Mounting position	any
Temperature range	0 °C to 90 °C / 32 °F to 194 °F, for appropriately conditioned compressed air down to -40 °C / -40 °F
Material	Body: aluminium die-cast Elastomer: NBR/Buna-N, optionally FKM Inner valve: stainless steel and brass



Dimensions			Relief capacity l/min*1	Over-pressure max. bar	Connection thread G	Adjustment range bar	Order number
A	B	C					

Precision back pressure regulator				overpressure max. 21/35 bar	Model 10BP		
67	162	19	1200	21	G $\frac{1}{4}$	0.01... 0.14	10212BPH
						0.01... 0.7	10222BPH
						0.01... 2.1	10232BPH
						0.07... 4.1	10242BPH
						0.14... 10	10262BPH
67	171	19	1200	35	G $\frac{1}{4}$	0.20... 14	10272BPH
						0.30... 21	10282BPH
						0.30... 28	10292BPH

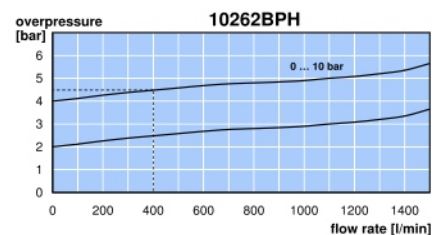
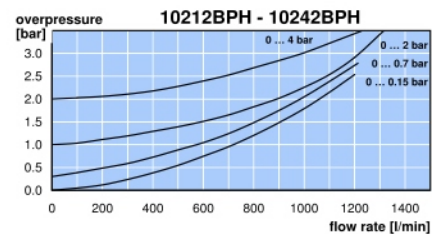
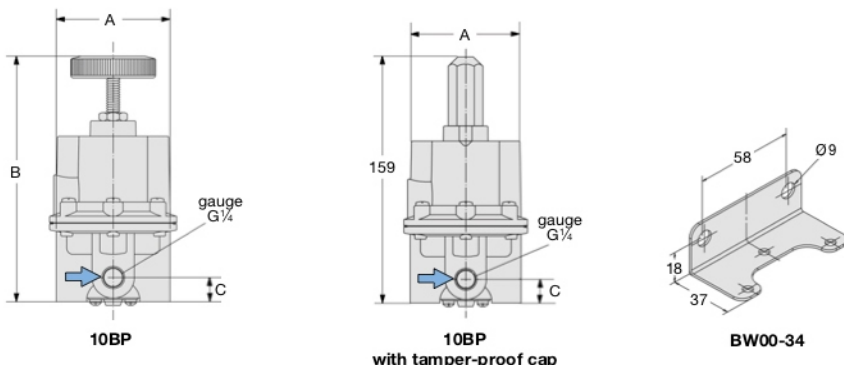
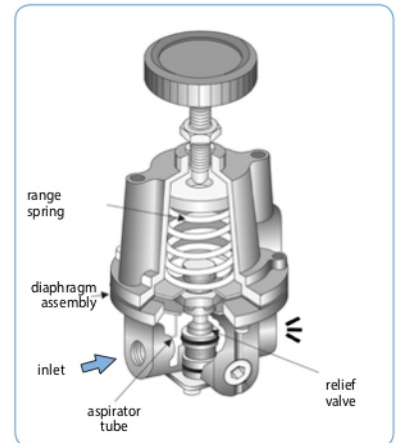


Special options, add the appropriate letter

G$\frac{3}{8}$	connection thread	102..3BPH
G$\frac{1}{2}$	connection thread, recommended for mbar range	102..4BPH
NPT	connection thread	102..2BP
FKM elastomer		102..BP..J
free of non-ferrous metal	FKM elastomer	102..BP..X63
tamper-proof cap	aluminium, adjustment by screwdriver, total height 159 mm	102..BP..T

Accessories, enclosed

pressure gauge	Ø 50 mm, 0...*2 bar, G $\frac{1}{4}$	MA5002-..*2 MA5002-25 MA5002-60 MA6302-C2 BW00-34
	Ø 50 mm, 0... 25 bar, G $\frac{1}{4}$	
	Ø 50 mm, 0... 60 bar, G $\frac{1}{4}$	
	Ø 63 mm, 0...160 mbar, G $\frac{1}{4}$	
mounting bracket	made of steel	



*1 at 5 bar overpressure and open outlet

*2 01 = 0...1 bar, 02 = 0...2.5 bar, 06 = 0...6 bar, 10 = 0...10 bar, 16 = 0...16 bar, 25 = 0...25 bar, 60 = 0...60 bar