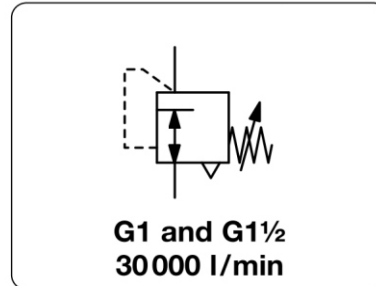


R102 - Régulateur de pression avec précision, très forte capacité en débit (30000 l/min) avec consommation pour air comprimé et gaz neutres

| | | |
|---------------------------|--|------------------------------|
| Description | Provides precision regulation in high flow and high relief applications. A sensitive rolling diaphragm and balanced inner valve assure constant outlet pressure even with supply pressure and flow fluctuations. | |
| Media | compressed air or non-corrosive gases | |
| Supply pressure | max. 18 bar, optionally max. 35 bar | |
| Accuracy | response sensitivity: < 2 mbar | |
| Air consumption | 0.5% of volume flow, max. 15 l/min | |
| Adjustment | by T-handle with locknut | |
| Relieving function | relieving, optionally non-relieving | |
| Relief capacity | 1200 l/min at 1.5 bar outlet and 0.35 bar overpressure above setpoint | |
| Gauge port | ¼" NPT for outlet pressure | Mounting position any |
| Temperature range | 0 °C to 90 °C / 32 °F to 194 °F, for appropriately conditioned compressed air down to -40 °C / -40 °F | |
| Material | Body: aluminium die-cast Elastomer: NBR/Buna-N, optionally FKM at 35 bar version Inner valve: stainless steel, brass, aluminium and steel | |



| Dimensions | | | K _v - value | Flow rate | Connection thread | Pressure range | Order number |
|------------|----|----|---------------------------|--------------|----------------------|-------------------|-----------------|
| A | B | C | | | | | |
| mm | mm | mm | (m³/h) | m³/h*1 | l/min*1 | G | bar |

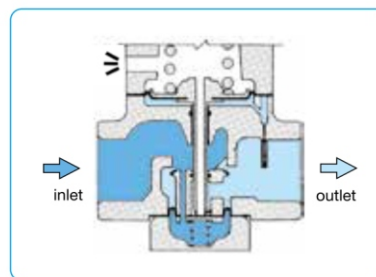
| Precision pressure regulator | | | | supply pressure max. 18 bar, relieving, with constant bleed | | R102 | | |
|------------------------------|-----|----|------|--|-------|------|---|--|
| 141 | 287 | 56 | 11.4 | 1680 | 28000 | G1 | 0.001...0.7 0.03 ...2.0 0.07 ...4.0 0.14 ...7.0 0.14 ... 10 | R102-081 R102-08A R102-08B R102-08C R102-08D |
| 141 | 287 | 56 | 12.2 | 1800 | 30000 | G1½ | 0.001...0.7 0.03 ...2.0 0.07 ...4.0 0.14 ...7.0 0.14 ... 10 | R102-121 R102-12A R102-12B R102-12C R102-12D |



R102

Special options, add the appropriate letter

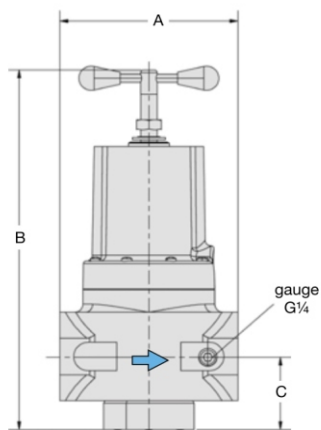
| | | |
|-------------------------------|---|-------------|
| NPT | connection thread | R102-...N |
| non-relieving | and without constant bleed | R102-...K |
| tapped exhaust | G¾ connection thread | R102-...X12 |
| supply pressure 35 bar | free of non-ferrous metal, FKM elastomer | R102-...X62 |
| tamper-proof cap | aluminium, adjustment by screwdriver, total height 295 mm | R102-...T |



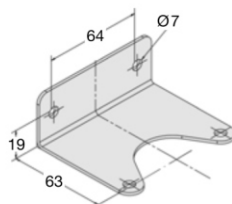
cross-section

Accessories, enclosed

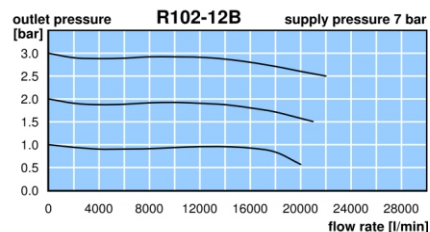
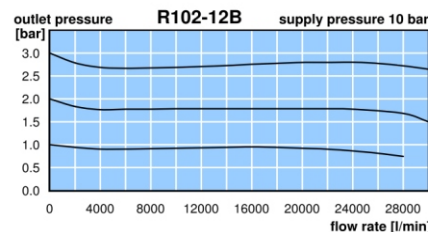
| | | |
|-------------------------|---|-------------|
| pressure gauge | Ø 63 mm, 0...*2 bar, G¼ | MA6302-..*2 |
| gauge connection | made of brass, adapter 1¼" NPT to G¼ female | AM-06 |
| mounting bracket | made of steel | BW00-30 |



R102



BW00-30



*1 at 10 bar supply pressure and 2.8 bar outlet pressure
*2 01 = 0...1 bar, 02 = 0...2.5 bar, 04 = 0...4 bar, 10 = 0...10 bar