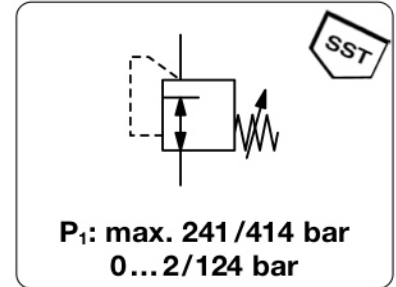


RH0 - RH1 - Régulateur haute pression, compact, corps en laiton, aluminium ou acier inoxydable, siège PFA, CTFE ou Vespel

Description	Diaphragm-operated high pressure regulator of small and light design.	
Adjustment	by black plastic knob	Weight aluminium 200 g, brass 430 g
Relieving function	non-relieving	Mounting position any
Gauge port	1/4" NPT for inlet and outlet pressure	
	RH0	RH1
Media	corrosive or non-corrosive gases up to purity 5.0	compressed air, non-corrosive gases or liquids
Supply pressure	max. 241 bar	max. 414 bar
Leakage rate	< 1 x 10 ⁻⁶ mbar l/s He	< 1 x 10 ⁻⁶ mbar l/s He
Temperature range	-40 °C to 60 °C / -40 °F to 140 °F	-25 °C to 75 °C / -13 °F to 167 °F
Body	brass, optionally stainless steel or aluminium	nickel-plated aluminium
Regulating system	diaphragm made of stainless steel	piston with EPDM o-ring, as option NBR/Buna-N or FKM
Valve seat	PFA or CTFE as option	CTFE or Vespel as option
Inner valve	brass, optionally stainless steel	stainless steel and aluminium



Dimensions			K _v -value (m ³ /h)	Flow rate		Connection thread NPT	Pressure range bar	Order number
A	B	C		m ³ /h	l/min			

High pressure regulator 241 bar						for gases, non-relieving brass, stainless steel diaphragm	RH0	
41	82	14	0.05	9*1	150*1	1/4" NPT	0.2... 2	RH0-02A
							0.4... 4	RH0-02B
							0.6... 7	RH0-02C

High pressure regulator 414 bar						for gases and liquids, non-relieving aluminium, piston with EPDM	RH1	
41	76	13	0.05	84*2	1400*2	1/4" NPT	0.5... 5	RH1-02A
							0.5... 10	RH1-02B
							1.5... 15	RH1-02C
41	76	13	0.05	192*3	3200*3	1/4" NPT	4.0... 48	RH1-02D
							8.0... 83	RH1-02E
							10...124	RH1-02F

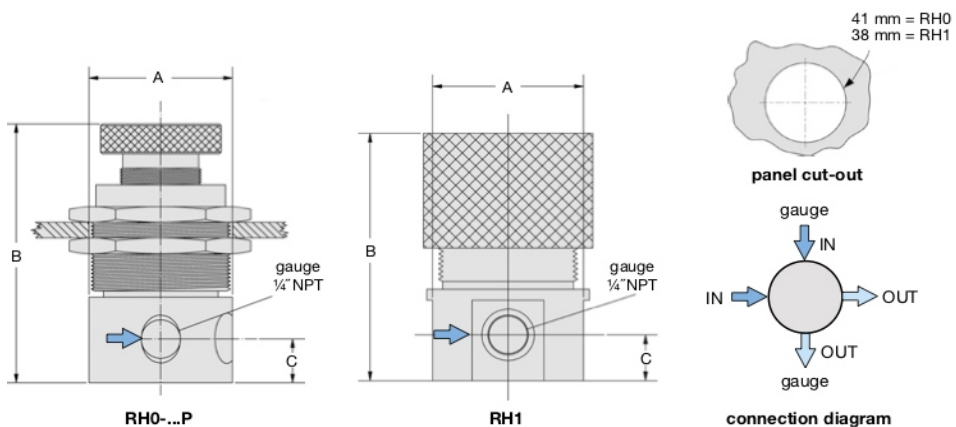
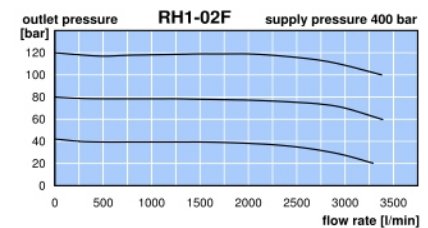
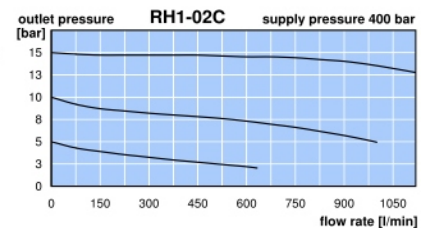
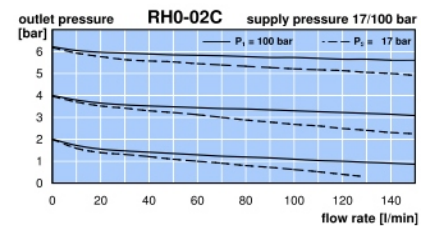


RH0



RH1

Special options, add the appropriate letter				
1/4" NPT	connection thread	für RH0	RH0-01 .	
aluminium body		für RH0	RH0-02 . A	
stainless steel body		für RH0	RH0-02 . S	
CTFE seat		für RH0	RH0-02 . X52	
CTFE seat	for stainless steel body	für RH0	RH0-02 . SX52	
Vespel seat		für RH1	RH1-02 . X45	
NBR o-ring		für RH1	RH1-02 . N	
FKM o-ring		für RH1	RH1-02 . V	
free of grease and oil	suitable for oxygen,	P ₁ < 200 bar	für RH0	RH0-02 . L
for oxygen	especially cleaned,	P ₁ < 200 bar	für RH1	RH1-02 . 15
brass pressure gauge	inlet side		outlet side	RH. -02 . GM
SST pressure gauge	inlet side		outlet side	RH. -02 . G
for panel mounting			für RH0	RH0-02 . P



*1 at 100 bar supply pressure and 6 bar outlet pressure
 *2 at 400 bar supply pressure and 15 bar outlet pressure
 *3 at 400 bar supply pressure and 120 bar outlet pressure

