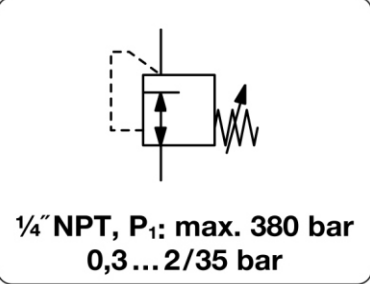


# RHB - Régulation haute pression, corps laiton, raccordement 1/4" NPT, pour air comprimé et gaz non corrosifs, 380 bar

|                           |  |                     |                                    |
|---------------------------|--|---------------------|------------------------------------|
| <b>Description</b>        | Diaphragm-operated high pressure regulator made of brass.  |                     |                                    |
| <b>Media</b>              | compressed air or non-corrosive gases  |                     |                                    |
| <b>Supply pressure</b>    | max. 380 bar   |                     |                                    |
| <b>Adjustment</b>         | by T-handle with locknut   |                     |                                    |
| <b>Relieving function</b> | non-relieving  |                     |                                    |
| <b>Gauge port</b>         | 1/4" NPT on both sides of the body, screw plugs supplied   |                     |                                    |
| <b>Mounting position</b>  | any  |                     |                                    |
| <b>Temperature range</b>  | 0 °C to 106 °C / 32 °F to 223 °F, for appropriately conditioned compressed air down to -40 °C / -40 °F |                     |                                    |
| <b>Material</b>           | Body: brass  | O-rings: NBR/Buna-N | Valve seat: nylon, optionally PTFE |
|                           | Diaphragm: stainless steel 302   |                     |                                    |



| Dimensions |   |   | K <sub>v</sub> -value | Flow rate         |         | Connection thread | Pressure range | Order number |
|------------|---|---|-----------------------|-------------------|---------|-------------------|----------------|--------------|
| A          | B | C |                       | m <sup>3</sup> /h | l/min*1 |                   |                |              |

| High pressure regulator 380 bar |     |    | made of brass, with T-handle non-relieving, nylon seat, NBR/Buna-N |     | RHB  |          |            |         |
|---------------------------------|-----|----|--|-----|------|----------|------------|---------|
| 85                              | 156 | 60 | 0.09   | 240 | 4000 | 1/4" NPT | 0.3 ... 2  | RHB-02A |
|                                 |     |    |  |     |      |          | 0.3 ... 4  | RHB-02B |
|                                 |     |    |  |     |      |          | 0.3 ... 8  | RHB-02C |
|                                 |     |    |  |     |      |          | 0.3 ... 10 | RHB-02D |
|                                 |     |    |  |     |      |          | 0.3 ... 15 | RHB-02E |
| 85                              | 177 | 60 |  |     |      |          | 0.3 ... 35 | RHB-02F |



RHB-02C

## Special options, add the appropriate letter

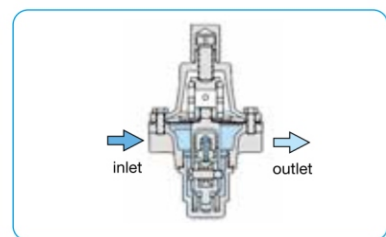
|                           |  |              |
|---------------------------|--|--------------|
| <b>nickel-plated</b>      | outer surface                                | RHB-02 . X25 |
| <b>tamper-proof cap</b>   | made of brass, total height 150 mm or 172 mm | RHB-02 . T   |
| <b>PTFE valve seat *2</b> | nickel plated surface                        | RHB-02 . X52 |



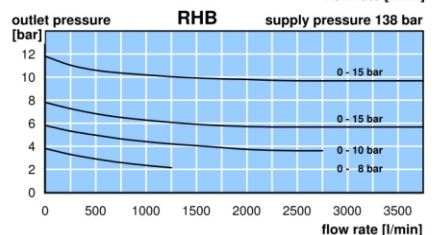
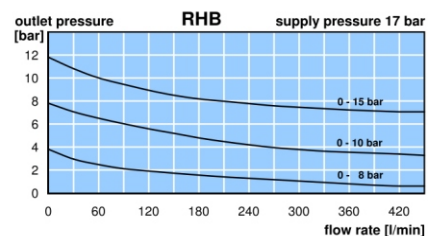
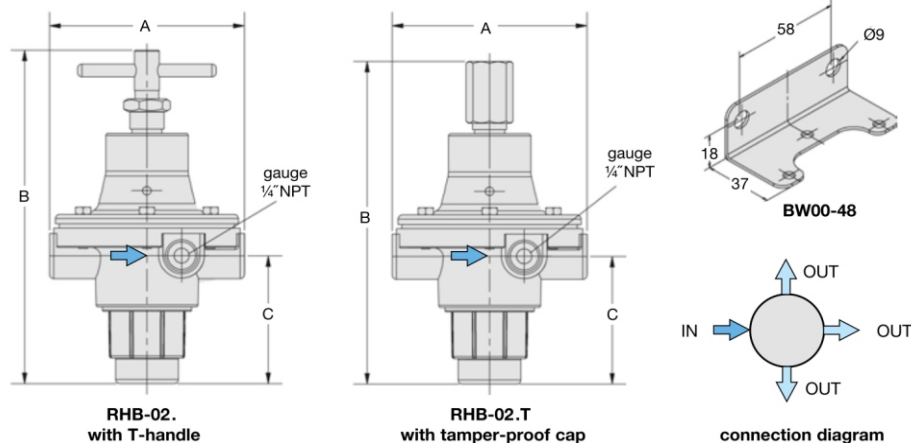
RHB-02DT

## Accessories, enclosed

|                         |               |         |
|-------------------------|---------------|---------|
| <b>mounting bracket</b> | made of steel | BW00-48 |
|-------------------------|---------------|---------|



cross-section



\*1 P<sub>1</sub> = 138 bar, P<sub>2</sub> = 10 bar und Δp = 3 bar

\*2 1.5 ... 35 bar pressure range for RHB-02F