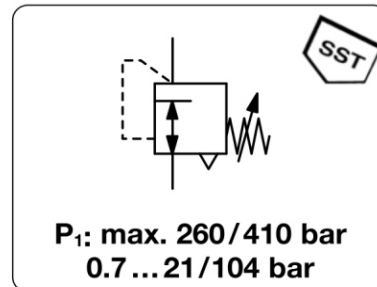


RH3 - Régulateur haute pression, corps laiton ou acier inoxydable, compatible gaz et liquides, 410 bar

Description	High pressure regulator with high flow and high reliability. Large piston sensor for high sensitivity and balanced stem design for constant downstream pressure.		
Media	compressed air, non-corrosive gases or liquids		
Supply pressure	max. 260 bar, optionally up to 310 bar or 410 bar		
Leakage rate	1×10^{-4} mbar l/s He		
Adjustment	by black plastic knob		
Relieving function	relieving, optionally non-relieving		
Gauge port	none, optionally 1/4" NPT for inlet and outlet		
Mounting position	any		
Temperature range	-25 °C to 100 °C / -13 °F to 212 °F		
Material	Body:	brass,	optionally stainless steel
	O-rings:	NBR/Buna-N and FKM	
	Main valve seat:	CTFE,	PTFE at RH3-04B
	Relieving valve:	CTFE,	PTFE at RH3-04B/-04C
	Inner valve:	PTFE and brass,	optionally stainless steel



Dimensions			K _v -value (m ³ /h)	Flow rate		Connection thread NPT	Pressure range bar	Order number
A	B	C		m ³ /h*1	l/min*1			

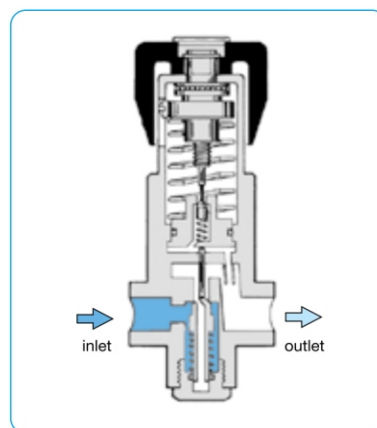
High pressure regulator 260 bar, 1/2" NPT								relieving, brass	RH3
76	203	45	1.7	420	7 000	1/2" NPT	0.7 ... 21	RH3-04B	
							1.0 ... 42	RH3-04C	
							1.4 ... 70	RH3-04D	
							3.4 ... 104	RH3-04E	



RH3

Special options, add the appropriate letter

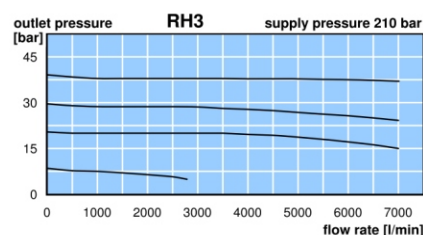
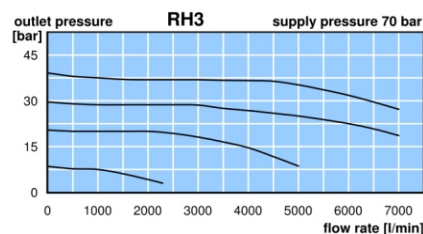
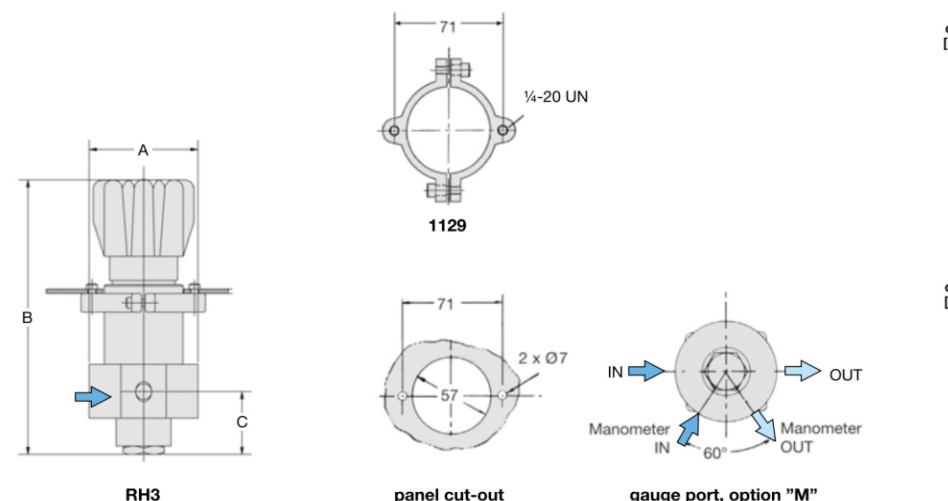
1/4" NPT	connection thread		RH3-06.
non-relieving	without relieving function		RH3-0..K
stainless steel, 310 bar	body: stainless steel 316		RH3-0..S1
stainless steel, 410 bar	body: stainless steel 316,	add. pre. range 3.4... 172 bar (F)	RH3-0..S2
brass, 345 bar	body: brass,	add. pre. range 3.4... 172 bar (F)	RH3-0..U
gauge port	1/4" NPT for inlet and outlet		RH3-0..M
brass pressure gauge	inlet side MHM	outlet side	RH3-0..MGM
SST pressure gauge	inlet side MH	outlet side	RH3-0..MG



cross-section

Accessories, enclosed

set of mounting brackets	for panel mounting	1129
--------------------------	--------------------	------



*1 at 210 bar supply pressure and 40 bar outlet pressure