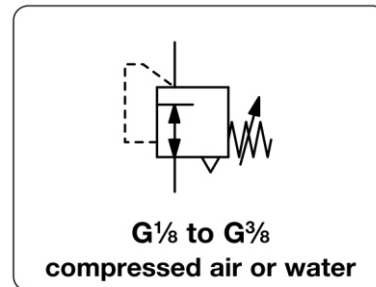


R25 - R45 - Régulateur de pression, compact, air, eau, anticorrosion, matériaux agréés NSF et FDA

Description	Miniature pressure regulator with diaphragm, designed for compressed air and water applications. All internal wetted sections are corrosion-resistant, lead free and without any brass components. Regulator for modular application with many integrated fixing holes.		
Media	compressed air, non-corrosive gases or water		
Supply pressure	max. 11 bar		
Adjustment	by plastic knob with snap-lock		
Relieving function	relieving for air, non-relieving for water		
Gauge port	G $\frac{1}{8}$ on both sides of R25,	G $\frac{1}{4}$ on both sides of R45, screw plugs supplied	
Mounting position	any		
Temperature range	0 °C to 50 °C / 32 °F to 122 °F		
Material	Body: glass fibre-reinforced acetal Inner valve: glass fibre-reinforced acetal	Elastomer:	NBR/Buna-N



Dimensions			Flow rate		Connection	Pressure	Order no.	Order no. for
A	B	C	water	air	thread	range	for water	compressed air
mm	mm	mm	l/min*1	l/min*1	G	bar	non-relieving	relieving

Pressure regulator						supply pressure max. 11 bar	R25	
40	78	12	3	150	G $\frac{1}{8}$	0...1.0	R25-010K	R25-010
						0...1.8	R25-01AK	R25-01A
						0...4.0	R25-01BK	R25-01B
						0...9.0	R25-01CK	R25-01C
40	78	12	3	150	G $\frac{1}{4}$	0...1.0	R25-020K	R25-020
						0...1.8	R25-02AK	R25-02A
						0...4.0	R25-02BK	R25-02B
						0...9.0	R25-02CK	R25-02C



Pressure regulator for high flow						supply pressure max. 11 bar	R45	
52	87	14	10	680	G $\frac{1}{4}$	0...1.8	R45-02AK	R45-02A
						0...4.0	R45-02BK	R45-02B
						0...9.0	R45-02CK	R45-02C
52	87	14	13	960	G $\frac{3}{8}$	0...1.8	R45-03AK	R45-03A
						0...4.0	R45-03BK	R45-03B
						0...9.0	R45-03CK	R45-03C

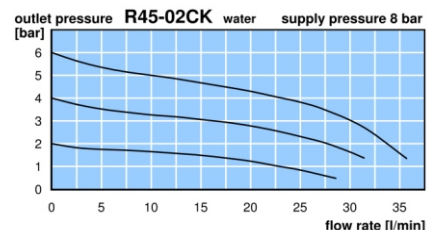
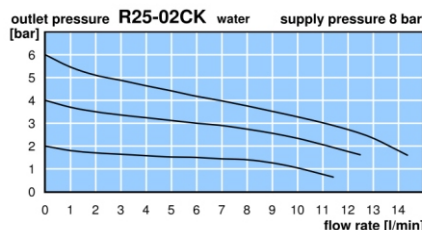
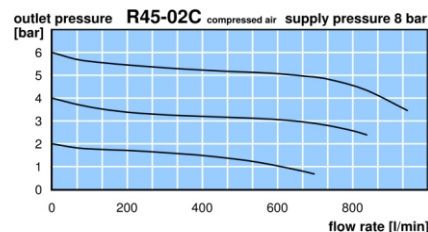
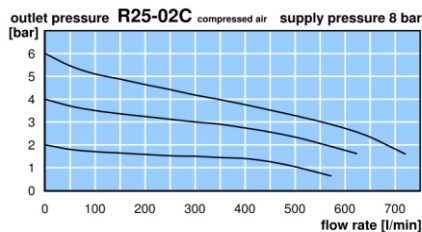
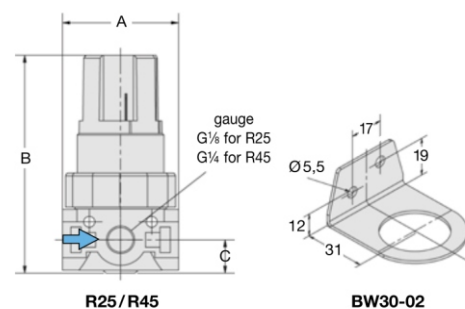


Special options, add the appropriate letter

adjustment lock	socket wrench adjustment, height 64 mm	R25 only R25-0..T
------------------------	--	-------------------

Accessories, enclosed

pressure gauge	Ø 40 mm, 0...*2 bar, G $\frac{1}{8}$	for R25	MA4001-...*2
	Ø 50 mm, 0...*2 bar, G $\frac{1}{4}$	for R45	MA5002-...*2
mounting bracket	made of steel		BW30-02
mounting nut	made of plastic		R05X51
	made of aluminium		M30x1,5A



*1 at 8 bar supply pressure, 6 bar outlet pressure and 1 bar pressure drop, for water supply pressure 2 bar above outlet pressure
*2 01 = 0...1 bar, 02 = 0...2.5 bar, 04 = 0...4 bar, 10 = 0...10 bar