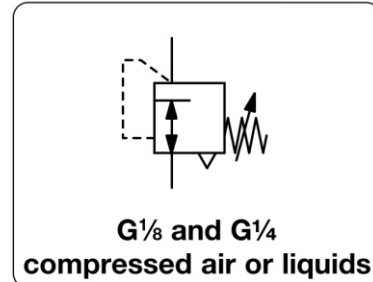


R039 - Régulateur de pression en technopolymère, G1/8" ou G1/4"

Compatible air, gaz, liquides, option oxygène

Description	Diaphragm miniature pressure regulator of small and lightweight design. The regulator has increased accuracy due to a rolling diaphragm and a piston compensated to inlet pressure.	
Media	compressed air, non-corrosive gases or liquids	
Supply pressure	max. 16 bar	
Air consumption	R039 without constant bleed	R039-F with max. 3 l/min air consumption
Adjustment	by plastic knob with snap-lock	
Relieving function	relieving for compressed air, non-relieving for liquids,	red adjusting knob black adjusting knob
Gauge port	G $\frac{1}{8}$ on both sides of the body, screw plugs supplied	
Mounting position	any	
Temperature range	0 °C to 50 °C / 32 °F to 122 °F for NBR/Buna-N	
Material	Body: POM with brass thread insert Elastomer: NBR/Buna-N Inner valve: brass	



Dimensions			Flow rate		Connection	Pressure	Order number	Order number
A	B	C	water	air	thread	range	for water	for compressed air
mm	mm	mm	l/min*1	l/min*1	G	bar	non-relieving	relieving

Regulator w. increased accuracy							supply pressure max. 16 bar, w. rolling diaphragm, inlet pressure-compensated		R039
41	86	11	5	350	G $\frac{1}{8}$	0.1 ... 1	R039-010K	R039-010	
						0.2 ... 2	R039-01AK	R039-01A	
						0.2 ... 4	R039-01BK	R039-01B	
						0.3 ... 8	R039-01CK	R039-01C	
						0.3 ... 12	R039-01DK	R039-01D	
41	86	11	5	380	G $\frac{1}{4}$	0.1 ... 1	R039-020K	R039-020	
						0.2 ... 2	R039-02AK	R039-02A	
						0.2 ... 4	R039-02BK	R039-02B	
						0.3 ... 8	R039-02CK	R039-02C	
						0.3 ... 12	R039-02DK	R039-02D	



Precision pressure regulator							with air consumption, P _i : max. 16 bar, w. rolling diaphragm, inlet pressure-compensated		R039-F
41	86	11	5	350	G $\frac{1}{8}$	0.1 ... 1	R039-010F	R039-010F	
						0.2 ... 2	R039-01AF	R039-01AF	
						0.2 ... 4	R039-01BF	R039-01BF	
						0.3 ... 8	R039-01CF	R039-01CF	
						0.3 ... 12	R039-01DF	R039-01DF	
41	86	11	5	380	G $\frac{1}{4}$	0.1 ... 1	R039-020F	R039-020F	
						0.2 ... 2	R039-02AF	R039-02AF	
						0.2 ... 4	R039-02BF	R039-02BF	
						0.3 ... 8	R039-02CF	R039-02CF	
						0.3 ... 12	R039-02DF	R039-02DF	

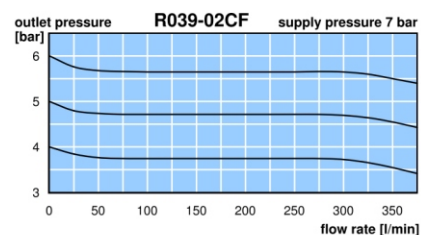
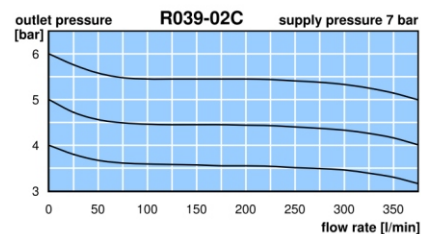
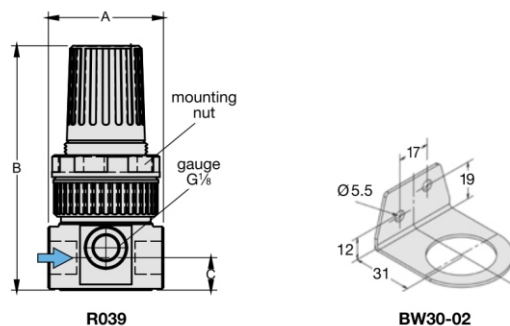


Special options, add the appropriate letter

adjustment lock	non-adjustable knob	R039-0...T
without gauge port		R039-0...X02
for oxygen	pecially cleaned, with oxygen grease	not for R039-0..F R039-0...K15

Accessories, enclosed

pressure gauge	Ø 40 mm, 0...*2 bar, G $\frac{1}{8}$	MA4001-...*2
mounting bracket	made of steel	BW30-02
mounting nut	made of plastic	M30x1,5K
	made of aluminium	M30x1,5A



*1 at 7 bar supply pressure, 6 bar outlet pressure and 1 bar pressure drop, for water: supply pressure 2 bar above outlet pressure

*2 02 = 0...2.5 bar, 04 = 0...4 bar, 10 = 0...10 bar, 16 = 0...16 bar