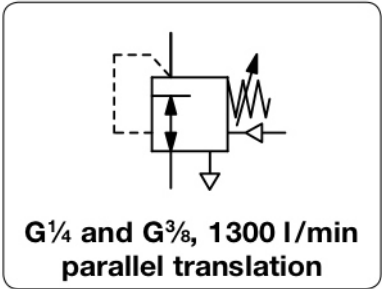


# R650 - Régulateur sommateur de pressions, régulateur différentiel, régulateur de pression avec maintien d'un décalage par rapport à la valeur de consigne

<b>Description</b>	Signal-operated regulator designed to provide outlet pressure which is the sum of the input signal pressure plus a preset bias. As an option, the relay can start with bias range -0.3 bar / -4 psi. The relay can also be used as a differential pressure regulator.	
<b>Media</b>	compressed air or non-corrosive gases	
<b>Supply pressure</b>	max. 17 bar	
<b>Pilot pressure</b>	max. 10 bar, pilot port G $\frac{1}{4}$	
<b>Accuracy</b>	response sensitivity: < 1 mbar	
<b>Air consumption</b>	without constant bleed	<b>Relieving function</b> relieving
<b>Relief capacity</b>	110 l/min at 1.5 bar outlet and 0.35 bar overpressure above setpoint	
<b>Gauge port</b>	G $\frac{1}{4}$ on both sides of the body, screw plugs supplied	<b>Mounting position</b> any
<b>Temperature range</b>	0 °C to 90 °C / 32 °F to 194 °F, for appropriately conditioned compressed air down to -40 °C / -40 °F	
<b>Material</b>	Body: aluminium die-cast Elastomer: NBR/Buna-N Inner valve: brass	



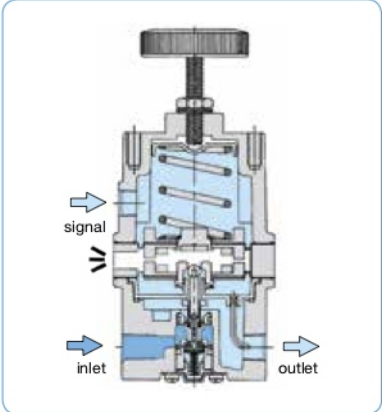
Dimensions			Flow rate	Connection thread	Supply recommended	Positive bias	Pressure range	Order number
A	B	C						

Positive bias relay			supply pressure max. 17 bar, relieving, without constant bleed, transmission ratio 1:1				R650		
68	170	16	72	1200	G $\frac{1}{4}$	5	0... 1	0... 10	R650-02C
						5	0... 2		R650-02D
						8	0... 4		R650-02E
						15	0...10		R650-02F
68	170	16	78	1300	G $\frac{3}{8}$	5	0... 1	0... 10	R650-03C
						5	0... 2		R650-03D
						8	0... 4		R650-03E
						15	0...10		R650-03F



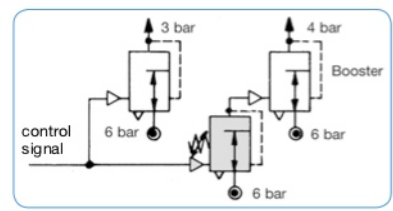
**Special options, add the appropriate letter**

negative bias	factory-set to -0.3 bar	R650-0..Y
NPT	connection thread	R650-0..N
tamper-proof cap	above spindle, total height 174 mm	R650-0..T

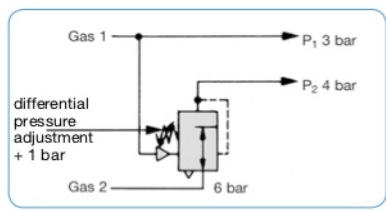


**Accessories, enclosed**

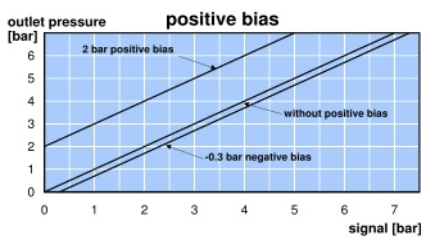
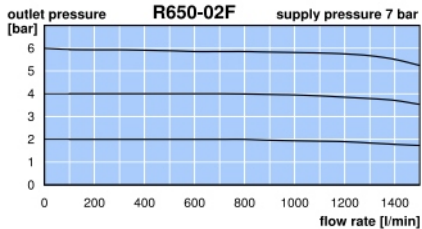
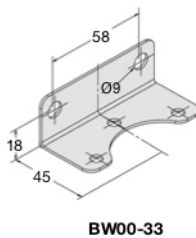
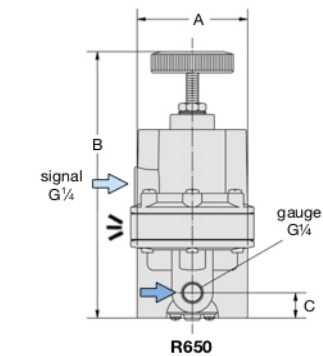
pressure gauge	Ø 50 mm, 0...*2 bar, G $\frac{1}{4}$	MA5002-..*2
mounting bracket	made of steel	BW00-33



**Example 1:** constant differential pressure of 1 bar at high flow



**Example 2:** constant differential pressure of 1 bar



\*1 at 7 bar supply pressure and 6 bar outlet pressure  
\*2 01 = 0...1 bar, 02 = 0...2.5 bar, 04 = 0...4 bar, 10 = 0...10 bar

