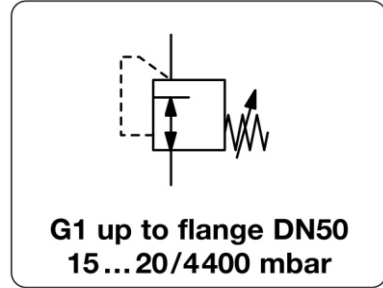


RZ - Régulateur basse-pression, sensible, sans consommation, raccordement taraudé ou sur brides, corps en fonte ductile, compatible avec de nombreux gaz.

Description	Highly sensitive diaphragm pressure regulator.		
Media	compressed air or non-corrosive gases		
Supply pressure	max. 20 bar depending on the accuracy range	AR: the smaller P ₁ the higher the accuracy, min. 1 bar	
	max. 10 bar at pressure range < 120 mbar		
Accuracy	at maximum volume flow	< e.g. 10% FS pressure deviation	
Air consumption	without constant bleed		
Adjustment	manual by turning the spindle under the cover of the spring cage		
Relieving function	non-relieving, optionally relieving		
Relief capacity	Can be adjusted independently of outlet pressure. On non-relieving designs: blocked exhaust valve.		
Gauge port	not available	Mounting position	any
Temperature range	-20 °C to 60 °C / -4 °F to 140 °F		
Material	Body: SG cast iron GGG50, GGG40 at DN50	Elastomer: NBR/Buna-N, optionally FKM	Inner valve: brass and stainless steel
	Spring cage: aluminium		



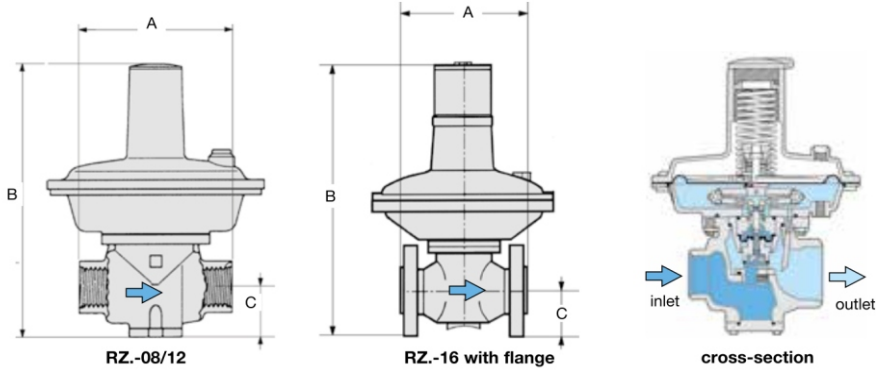
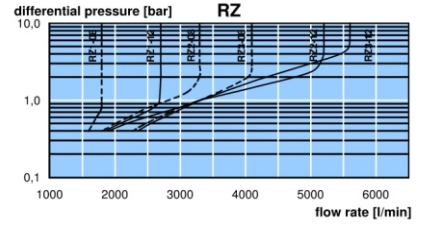
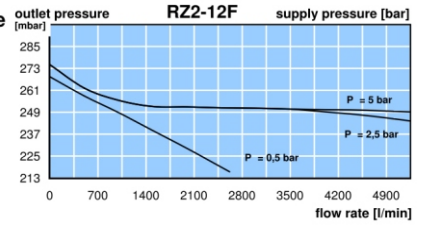
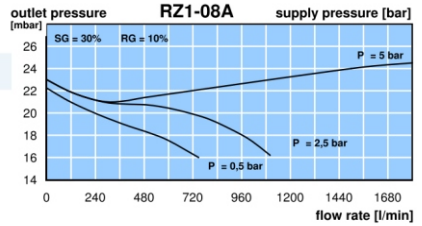
Dimensions			Accuracy	Nominal size	Flow rate	P ₁ max.	Connection thread	Pressure range	Order number
A	B	C	%	DN	l/min*1	bar*2	G	mbar	
mm	mm	mm							

Low press. regulator w. positioning spring					P1: max. 20 bar, non-relieving	RZ			
100	245	30	10	17	1800	10	G1	15 ... 20	RZ1-08A
			10			20 ... 30		RZ1-08B	
			10			30 ... 40		RZ1-08C	
			10			40 ... 70		RZ1-08D	
			10			70 ... 110		RZ1-08E	
			10			3300 16/20		110 ... 180	RZ2-08F
			10			3300 16/20		180 ... 300	RZ2-08G
		5		4100 16/20	300 ... 700	RZ3-08H			
100	245	30	10	17	2700	10	G1½*3	15 ... 20	RZ1-12A
			10			20 ... 30		RZ1-12B	
			10			30 ... 40		RZ1-12C	
			10			40 ... 70		RZ1-12D	
			10			70 ... 110		RZ1-12E	
			10			5000 16/20		110 ... 180	RZ2-12F
			10			5000 16/20		180 ... 300	RZ2-12G
		5		5000 16/20	300 ... 700	RZ3-12H			
254	460	80	5	22	15000	10	flange	10 ... 18	RZ1-16AF
			5			15000 10		RZ1-16BF	
			5			15000 10		RZ1-16CF	
			5			25000 10		RZ1-16DF	
			5			25000 10		RZ1-16EF	
			5			25000 10		RZ1-16FF	
			5			25000 20		RZ1-16GF	
			5			25000 20		RZ1-16HF	
			5			34		28000 20	RZ2-16IF
			5			28000 20		840 ... 1250	RZ2-16KF



Special options, add the appropriate letter

further ranges	RZ3-08 / -12	700...1100	I	1100...2000	J	2000...3000	RZ3-...K
further ranges	RZ2-16	1050...2300	L	2000...4400			RZ3-16M
relieving							RZ-...R
FKM elastomer							RZ-...V
nitrogen	N ₂ : 07	carbon dioxide	CO ₂ : 03	argon	Ar: RZ-...05		
helium	He: 09	hydrogen	H ₂ : 11	methane	CH ₄ : RZ-...13		
oxygen	O ₂ : 15 (max. 16 bar)	propane	C ₃ H ₈ : 16	nitrous oxide	N ₂ O: RZ-...17		
connection	see chapter for stainless steel devices / flanges						RZ-...F.



*1 at 4 bar supply pressure and max. outlet pressure *2 see description above *3 G1 thread at inlet

