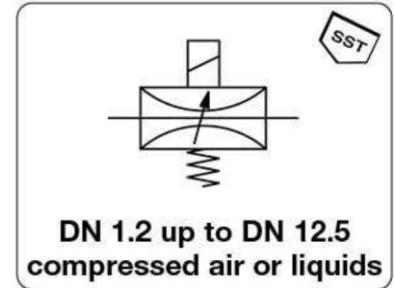


PV202 - PV203 - Electrovanne proportionnelle pour le contrôle de débit

Description	The proportional flow valve can be controlled either by 24 V DC or optionally by a plug amplifier with switchable signals.		
Media	50 µm filtered compressed air, vacuum, non-corrosive gases or liquids		
Plug amplifier	Conversion of the analogue signal into a pulse-wide modulated current.		
	Supply voltage: 24 V DC, max. 1.1 A	Adjustment:	zero point and range
	Switchable signal: 0...10 V, 0...20 mA, 4...20 mA	Time ramp:	0.1 to 3 s selectable
	Close function: < 2% of max. signal	Hum frequency:	40 to 700 Hz selectable
Electrical connector	plug, 3-pin, with coupling socket (Pg 9P or PG 11P)	Operating pressure	see chart, max. 12 bar
Protection class	IP 65 with coupling socket	Mounting position	any
Temperature range	-10 °C to 90 °C / 14 °F to 194 °F	at G _v :	0 °C to 50 °C / 32 °F to 122 °F
Viscosity max.	PV202, G _v : -	PV202, G _v /G _v : 21 mm ² /s	PV203, G _v /G _v : 40 mm ² /s
Power consumption	100...450 mA, 8.6 W	100...500 mA, 11 W	100...500 mA, 11 W
Hysteresis / Sensitivity	< 5% FS / < 1% FS	< 5% FS / < 2% FS	< 7.5% FS / < 2% FS
Repeatability	< 1% FS	< 3% FS	< 3% FS
Body / Inner valve	brass/SST, PTFE, FKM	brass/SST, PTFE, FKM	brass/SST, PTFE, NBR/Buna-N



Dimensions			Media	Nominal size	K _v -value	Flow rate	Supply max.	Connection thread	Order number
A	B	C	A: air W: water	DN	(m ³ /h)	l/min*1	bar	G	
mm	mm	mm							

Proportional flow valve			24 V DC, direct control, without amplifier, with coupling socket, made of brass					PV202 / PV203	
25	78	8	A	1.2	0.05	0... 70	8.0	G _{1/2}	PV202-1-12
				1.6	0.07	0...110	6.0		PV202-1-16
				2.4	0.13	0... 70	4.0		PV202-1-24
				3.2	0.18	0...105	2.5		PV202-1-32
40	95	20	A/W*3	1.2	0.05	0... 60	16	G _{1/4}	PV202-2-12
				2.4	0.12	0...110	8.0		PV202-2-24
				3.2	0.24	0...170	4.0		PV202-2-32
				4.0	0.42	0...280	2.5		PV202-2-40
				5.6	0.72	0...310	1.4		PV202-2-56
				7.1	0.90	0...390	1.0		PV202-2-71
48	97	14	A/W*3	3.2	0.24	0...190	4.0	G _{3/8}	PV202-3-32
				4.0	0.42	0...300	2.5		PV202-3-40
				5.6	0.72	0...330	1.4		PV202-3-56
				7.1	0.90	0...420	1.0		PV202-3-71
52	105	14	W	12.5	2.10	0... 35*2	10	G _{3/8}	PV203-3-125W
				12.5	2.10	0... 37*2	10	G _{1/2}	PV203-4-125W



PV202-1



PV202-2



PV203-4



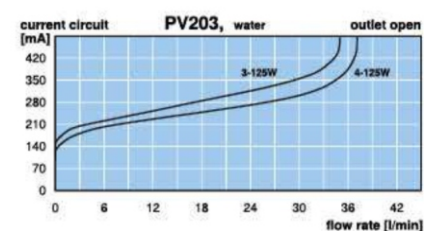
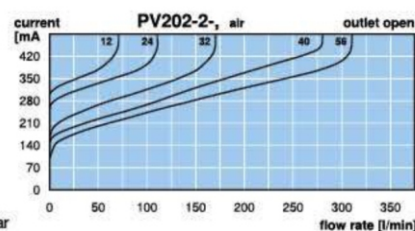
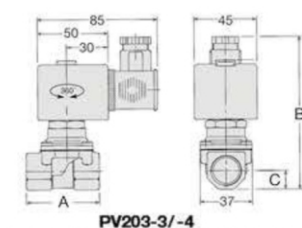
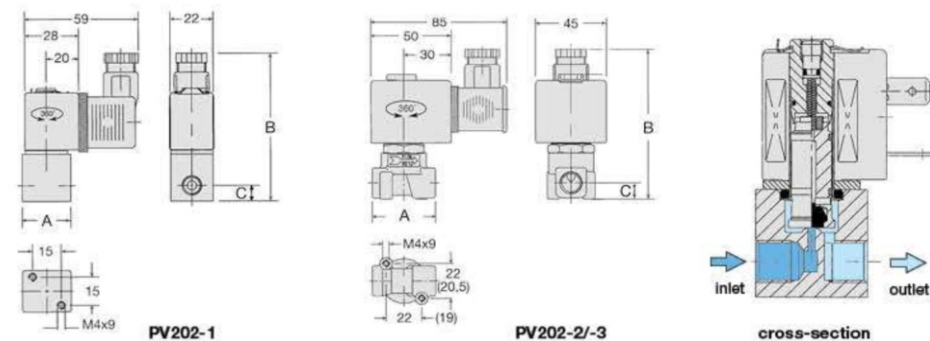
PVY-03

Special options, add the appropriate letter

for water or oil		for PV202, G _{1/4} and G _{3/8}	PV202-...W
stainless steel body	NPT connection thread, FKM elastomere	for PV202	PV202-...S
12 V DC	voltage signal		PV20-...12V

Accessories, enclosed

plug amplifier	24 V DC, switchable 0-10 V, 0-20 mA, 4-20 mA	for PV202, G _{1/2}	PVY-03
		for all others	PVY-04
plug amplifier	12 V DC, switchable 0-10 V, 0-20 mA, 4-20 mA	für PV202, G _{1/2}	PVY-08
		for all others	PVY-09



*1 for compressed air at operating pressure 6 bar and Δp = 1 bar
 *2 flow rate for water since valve is pilot-controlled
 *3 for liquids add W to order number of type PV202-2/-3