


## D7 - Transmetteur de pression, miniature

|                                |   |   |
|--------------------------------|---|---|
| <b>Description</b>             | The operating pressure is converted into a proportional, electrical signal by a ceramics pressure transducer. After amplification the signal is monitored as an analogue voltage or current signal. |   |
| <b>Media</b>                   | all non-corrosive media compatible with stainless steel, nylon, silicon, silicone and epoxy   |   |
| <b>Supply voltage</b>          | 12...32 V DC, residual ripple 5%, with reverse voltage protection, max. current consumption 4 mA  |   |
| <b>Electrical connector</b>    | plug M12x1, 4-pin, with coupling socket   | <b>Protection class</b> IP67 according to DIN EN60529                                 |
| <b>Output signal</b>           | 4...20 mA: max. power consumption 260 mW  | 0...10 V: max. power consumption 50 mW  |
| <b>Linearity/Hysteresis</b>    | < 0.2 % FS typ. < 0.5 % FS  |   |
| <b>Repeatability</b>           | < 0.2 % FS typ. < 0.3 % FS  |   |
| <b>Long-term stability</b>     | < 0.5 % FS typ. < 1 % FS  |   |
| <b>Temperature sensitivity</b> | < 0.03% FS typ./°C < 0.08% FS/°C (0...50 °C)  |   |
| <b>Vibration resistance</b>    | 2 g at 5...500 Hz   |   |
| <b>Temperature range</b>       | -25 °C to 85 °C / -13 °F to 185 °F  |   |
| <b>Response time</b>           | 5 ms for 10...90% of pressure range   |   |
| <b>Material</b>                | Body: stainless steel 316L, mat. no. 1.4404   | <b>Shock resistance</b> 50 g (11ms)<br>Measuring cell: silicone and NBR/Buna-N o-ring |



**accurate to 0.5%  
compressed air or liquids**

| Dimensions |    | Over-pressure | Measurement range | Order number for output signal |        |
|------------|----|---------------|-------------------|--------------------------------|--------|
| B          | Ø  | max. bar      | bar               | 4-20 mA                        | 0-10 V |
| mm         | mm |               |                   |                                |        |

| for non-corrosive media |      | G $\frac{1}{2}$ male, open sensor, with angular coupling socket | D7A 0.5% accurate | D7V       |           |
|-------------------------|------|---|-------------------|-----------|-----------|
| 52                      | 21.8 | 0.25  | 0... 10 mbar      | D7A-B1*1  | D7V-B1*1  |
|                         |      | 0.25  | -10... 10 mbar    | D7A-B1V*1 | D7V-B1V*1 |
|                         |      | 0.35  | 0... 25 mbar      | D7A-B2*1  | D7V-B2*1  |
|                         |      | 0.35  | -25... 25 mbar    | D7A-B2V   | D7V-B2V   |
|                         |      | 1   | 0... 70 mbar      | D7A-B7*1  | D7V-B7*1  |
|                         |      | 1   | -70... 70 mbar    | D7A-B7V   | D7V-B7V   |
|                         |      | 1   | 0...100 mbar      | D7A-C1*1  | D7V-C1*1  |
|                         |      | 1   | 0...200 mbar      | D7A-C2*1  | D7V-C2*1  |
|                         |      | 1   | 0...350 mbar      | D7A-C3*1  | D7V-C3*1  |
|                         |      | 1   | -350...350 mbar   | D7A-C3V   | D7V-C3V   |
|                         |      | 1   | 0...600 mbar      | D7A-C6*1  | D7V-C6*1  |
|                         |      | 1   | 0...800 mbar      | D7A-C8*1  | D7V-C8*1  |
|                         |      | 2   | 0... 1 bar        | D7A-01    | D7V-01    |
|                         |      | 2   | -1... 1 bar       | D7A-V1    | D7V-V1    |



D7



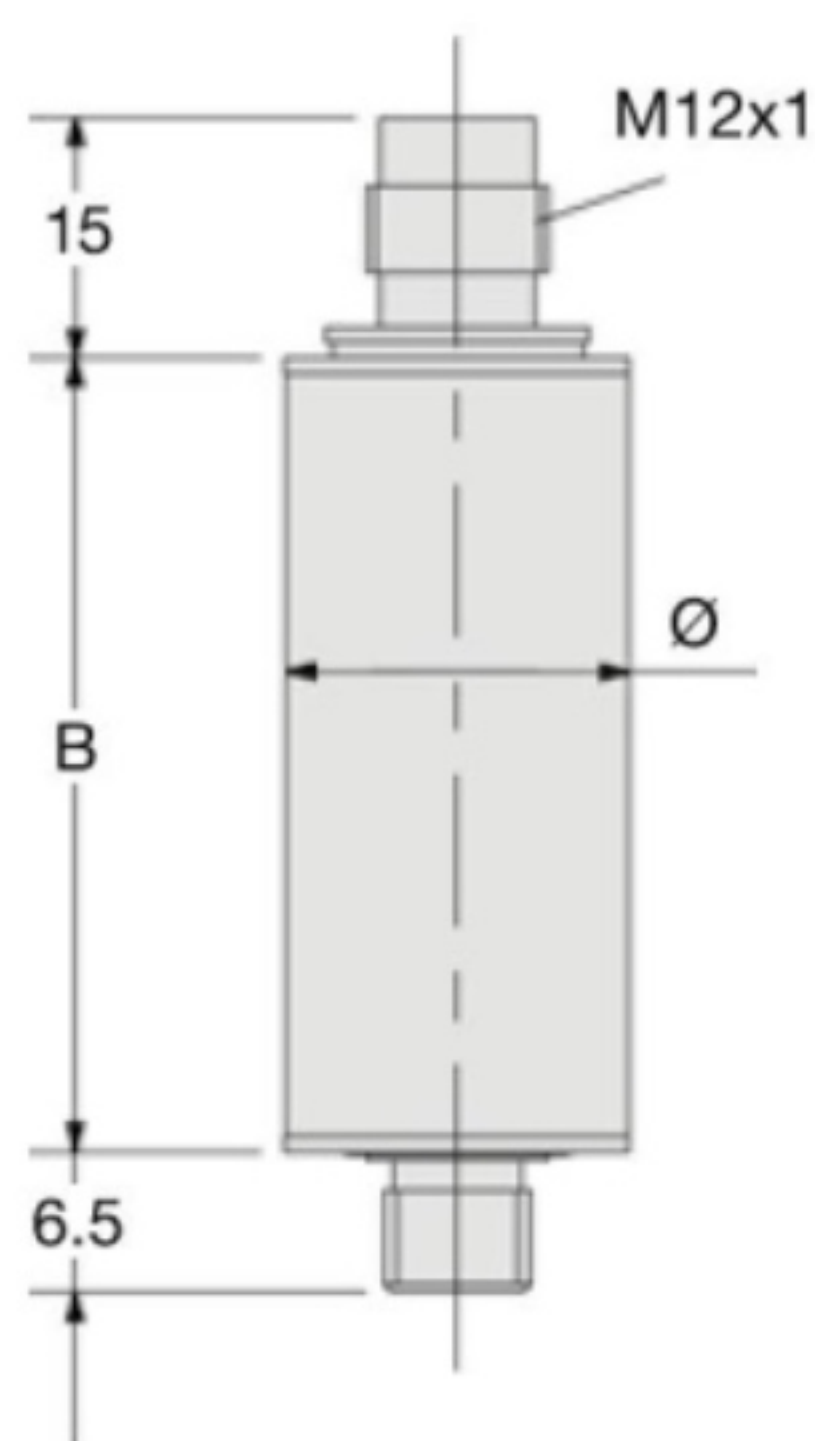
KM12-C4-0

### Special options, add the appropriate letter or number

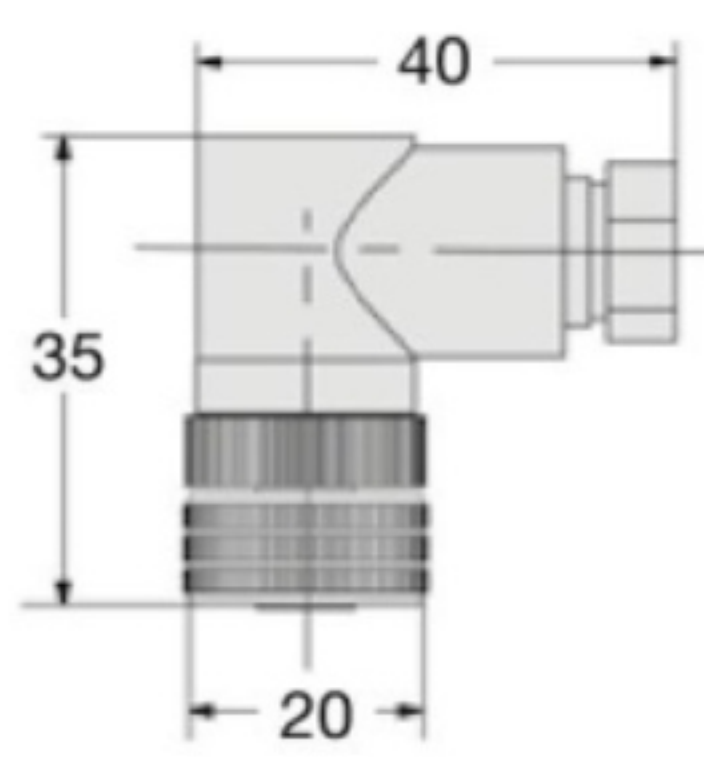
|                                       |                          |              |
|---------------------------------------|--------------------------|--------------|
| <b>deviant measurement range</b>      | to be indicated on order | D7 . - XX    |
| <b>G<math>\frac{1}{4}</math> male</b> | connection thread        | D7 . . . 02  |
| <b>G<math>\frac{3}{8}</math> male</b> | connection thread        | D7 . . . 03  |
| <b>G<math>\frac{1}{2}</math> NPTa</b> | connection thread        | D7 . . . N   |
| <b>G<math>\frac{3}{4}</math> NPTa</b> | connection thread        | D7 . . . 02N |

### Accessories, enclosed

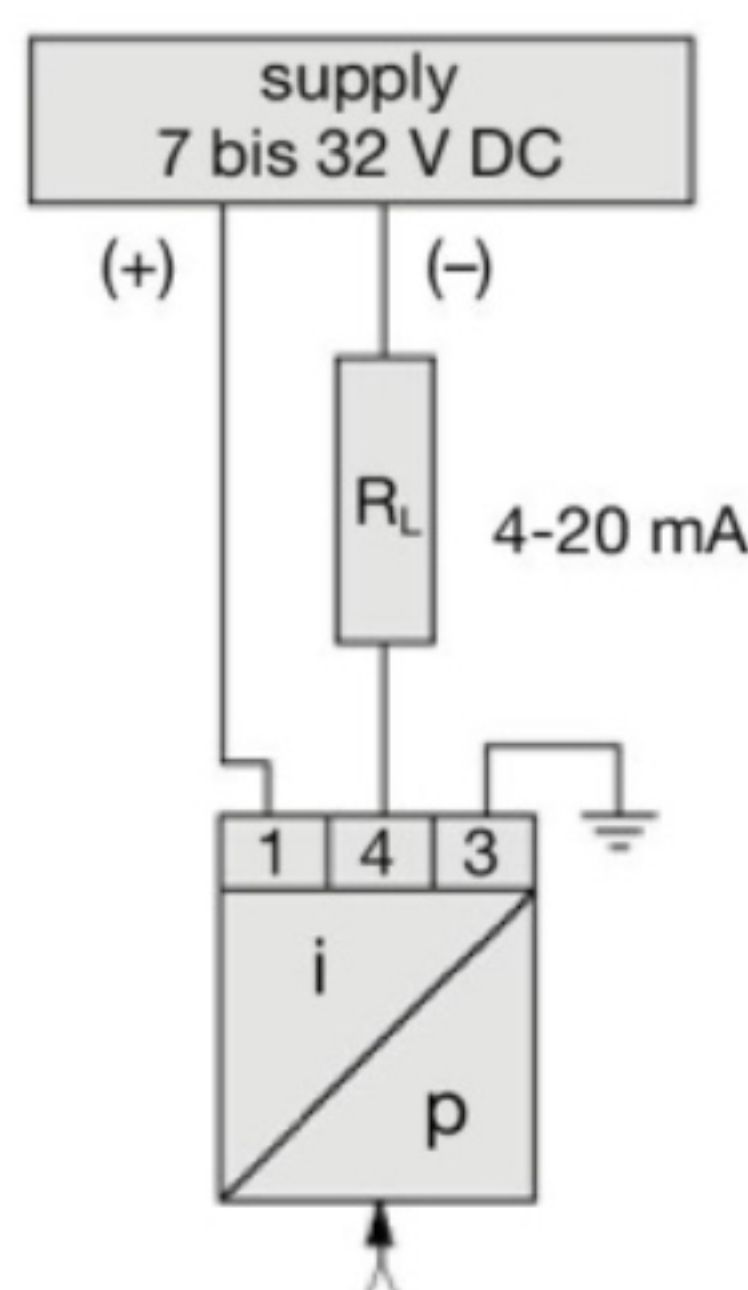
|                              |                 |                  |         |                  |
|------------------------------|-----------------|------------------|---------|------------------|
| <b>coupling socket 4-pin</b> | M12x1, straight | <b>KM12-A4-0</b> | angular | <b>KM12-C4-0</b> |
| <b>socket with cable</b>     | 2 m, straight   | <b>KM12-A4-2</b> | angular | <b>KM12-C4-2</b> |
|                              | 5 m, straight   | <b>KM12-A4-5</b> | angular | <b>KM12-C4-5</b> |



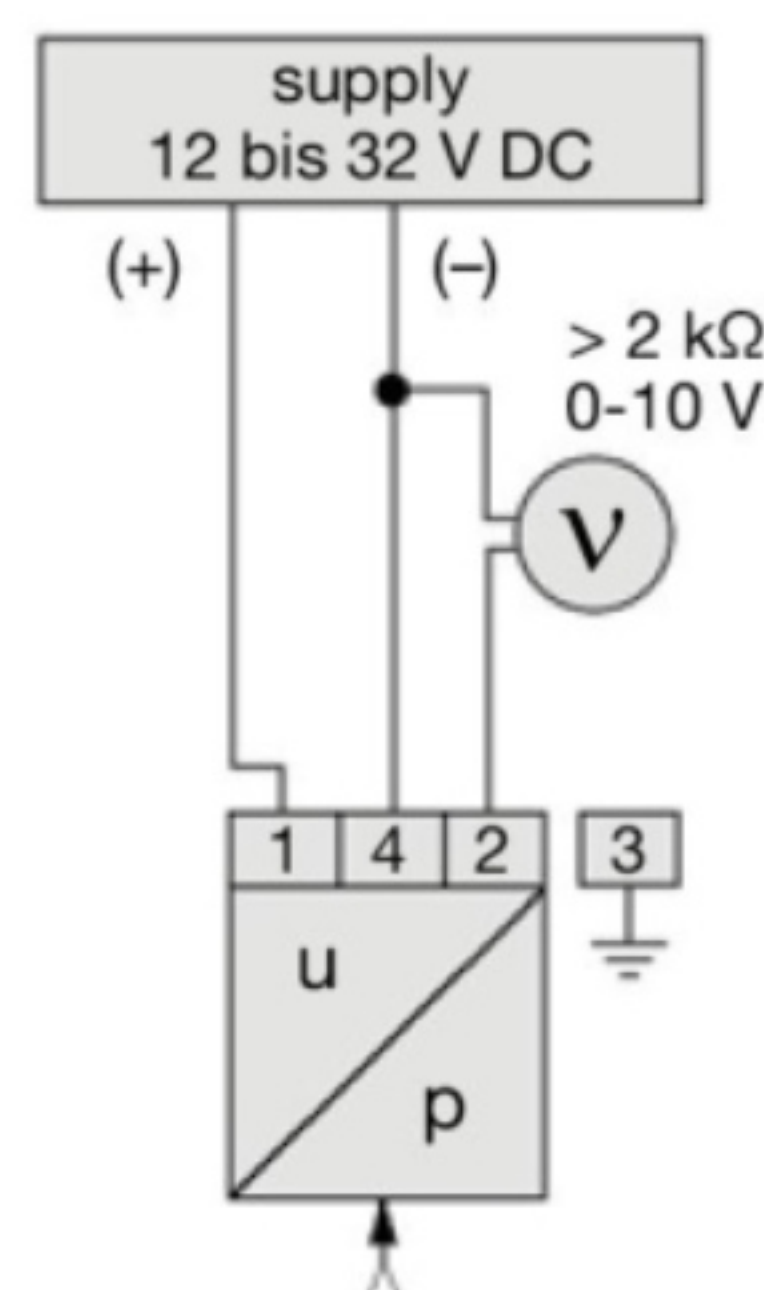
D7



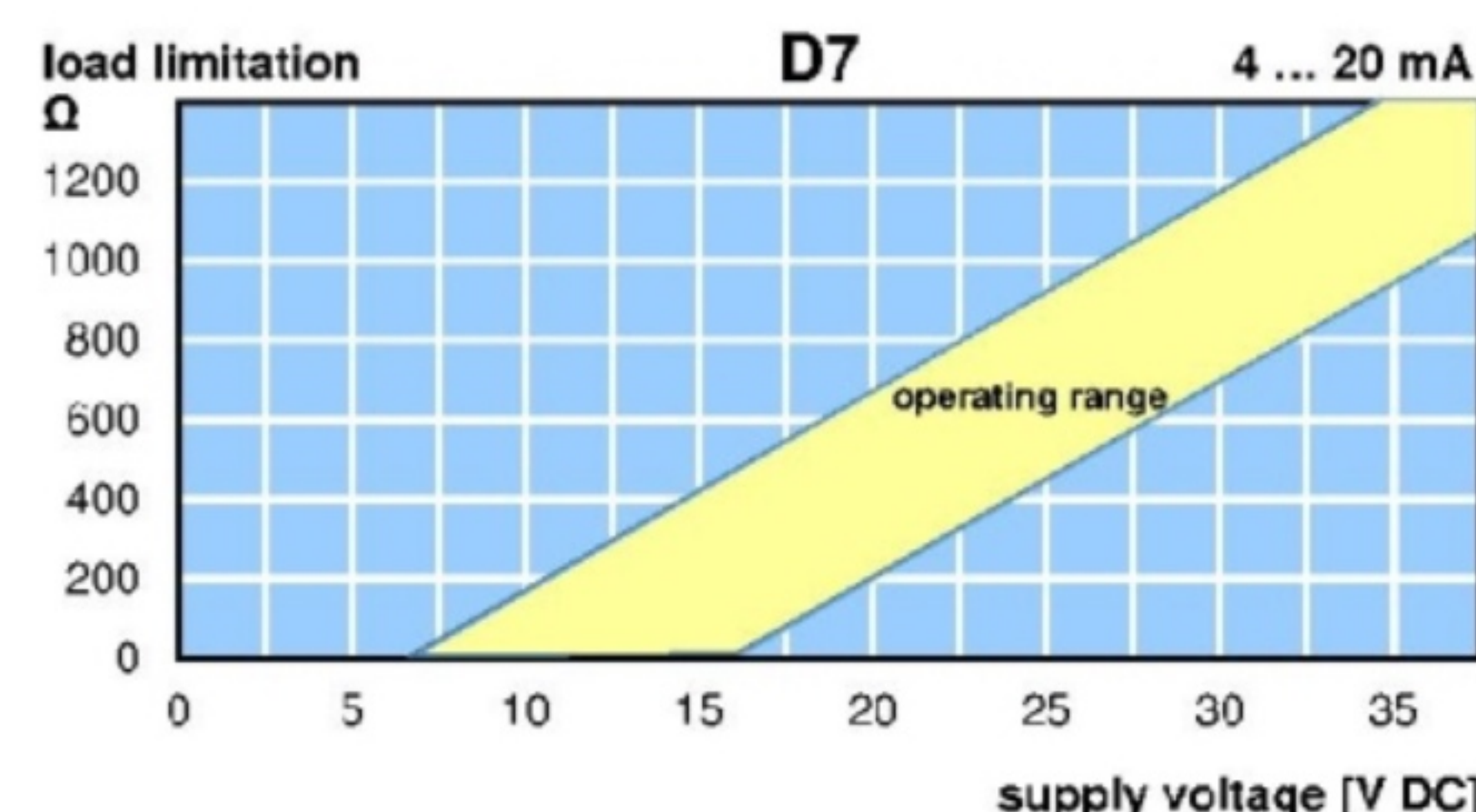
KM12-C4-0



D7A



D7V



\*1 Minimum order quantity 5 pieces

\*2 Minimum order quantity 10 pieces

