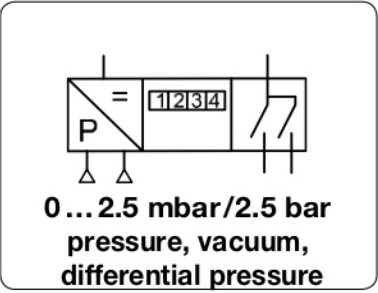


MPV - Manomètre basse pression, de précision, numérique, à montage en tableau

Description	A piezo-resistive pressure sensor converts the input pressure into a digital electrical signal.	
Medium	compressed air or non-corrosive gases	Overpressure see chart
Voltage supply	16...32 V DC standard, optionally 230 V AC, optional wall power supply	
Electrical connection	screw terminals for wire up to 1.5 mm ²	
Pneumatic connection	P+ : pos. pressure P- : vacuum P+/- : differential pressure, the higher pressure is to be connected at P+	
Process connection	4 mm and 6 mm tube connections	
Display	4-digit LCD display, max. ± 1999	
Output signal	0...10 V, optionally 4...20 mA, impedance < 500 Ω	
Linearity/Hysteresis	< 1% FS, optionally < 0.5% FS	
Long-term stability	< 0.5% FS per year at < 10 mbar,	< 0.1% FS per year at > 25 mbar
Temperature sensitivity	see chart, at 0 to 50 °C / 32 to 122 °F	Repeatability see chart
Response time	< 1 ms for 10...90% of pressure range	Protection class IP 20
Temperature range	0 °C to 50 °C / 32 °F to 122 °F compensated pressure range	
Material	Housing: glass fibre-reinforced Noryl plastic	



Repeatability	Temperature error	Linearity error	Over-pressure	Measurement range	Order number
% FS	% FS	% FS	mbar / bar	mbar / bar	

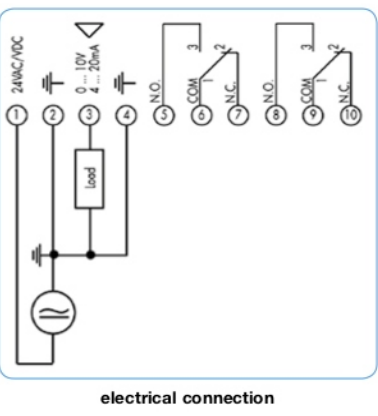
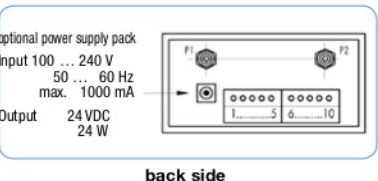
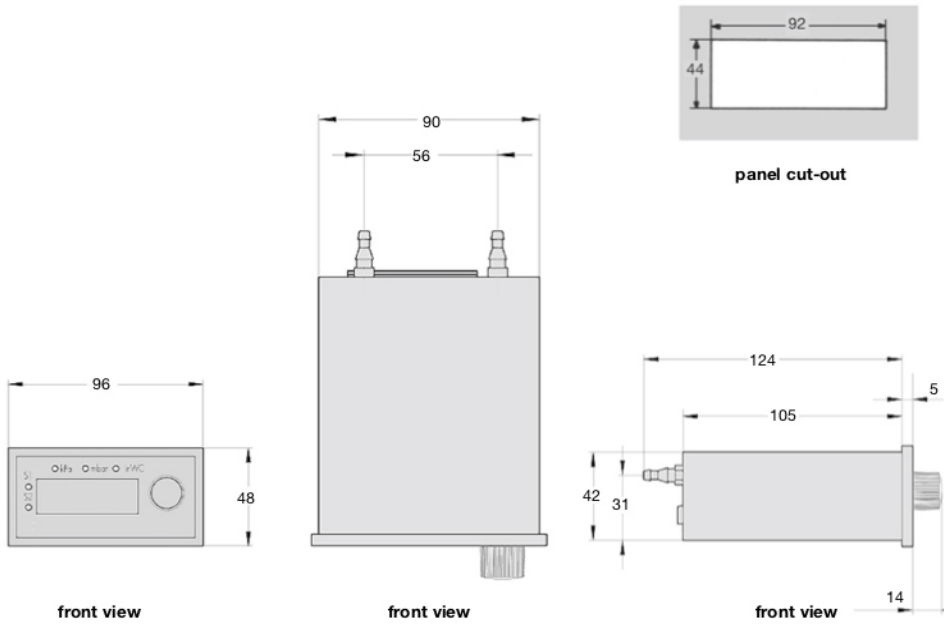
Digital gauge	for compressed air, measurement of positive pressure, vacuum and differential pressure, 24 V DC, outlet signal 0...10 V, 3 1/2-digit display				MPV
0.2	5.0	1.0	25 mbar	0... 2,5 mbar	MPV-A2
0.2	5.0	1.0	25 mbar	0... 5 mbar	MPV-A5
0.2	2.5	1.0	25 mbar	0... 10 mbar	MPV-B1
0.5	1.0	1.0	300 mbar	0... 25 mbar	MPV-B2
0.5	1.0	1.0	750 mbar	0... 50 mbar	MPV-B5
0.5	1.0	1.0	1 bar	0... 100 mbar	MPV-C1
0.5	1.0	1.0	1 bar	0... 250 mbar	MPV-C2
0.5	1.0	1.0	1 bar	0... 500 mbar	MPV-C5
0.5	1.0	1.0	3 bar	0... 1 bar	MPV-01
0.5	1.0	1.0	6 bar	0... 2.5 bar	MPV-02



MPV-C1S
with two limit switches

Special options, add the appropriate letter

- | | | |
|---------------------------|---|------------|
| 4...20 mA output signal | | MPA - . . |
| two limit switches | with LED, 230 V AC, 1 A, adjustable NOC | MP . - . S |
| linearity 0.5% | | MP . - . B |
| 230 V AC | supply voltage | MP . - . V |
| deviant measurement range | to be indicated on order (max. 2,5 bar) | MP . - XX |



*1 Handshake on/off, Baudrate 9600

