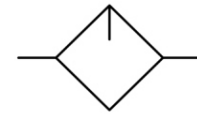


# LD - Lubricateur, huileur, graisseur pour air comprimé, en aluminium, 30 bar, raccordement de G1/8" à G2"

<b>Description</b>	Good value aluminium compressed air lubricator of solid design lubricating in proportion to flow rate.
<b>Bowl</b>	metal version with or without sight glass
<b>Operating pressure</b>	max. 16 bar for metal bowl with sight glass max. 30 bar for metal bowl without sight glass
<b>Temperature range</b>	-20 °C to 60 °C / -4 °F to 140 °F for metal bowl with sight glass -30 °C to 80 °C / -22 °F to 176 °F for metal bowl without sight glass
<b>Material</b>	Body: aluminium Bowl: aluminium or zinc die-cast Elastomer: NBR/Buna-N



**G<sup>1</sup>/<sub>8</sub> up to G2**

Dimensions			Bowl	Flow rate	Operating pressure	Connection	Order number
A	B	C	Design	Capacity	rate	thread	
mm	mm	mm	made of/with	l	m <sup>3</sup> /h*1 l/min*1	max. bar	G

## Lubricator series "D"

Lubricator series "D"								LD	
40	161	115	metal/sight glass	0.05	36	600	16	G <sup>1</sup> / <sub>8</sub>	<b>LD-01M</b>
			metal	0.05			30		<b>LD-01N</b>
40	161	115	metal/sight glass	0.05	40	660	16	G <sup>1</sup> / <sub>4</sub>	<b>LD-02M</b>
			metal	0.05			30		<b>LD-02N</b>
64	215	137	metal/sight glass	0.18	144	2400	16	G <sup>3</sup> / <sub>8</sub>	<b>LD-03M</b>
			metal				30		<b>LD-03N</b>
64	215	137	metal/sight glass	0.18	156	2600	16	G <sup>1</sup> / <sub>2</sub>	<b>LD-04M</b>
			metal				30		<b>LD-04N</b>
130	248	176	metal/sight glass	0.50	420	7000	16	G <sup>3</sup> / <sub>4</sub>	<b>LD-06M</b>
			metal				30		<b>LD-06N</b>
130	248	176	metal/sight glass	0.50	480	8000	16	G1	<b>LD-08M</b>
			metal				30		<b>LD-08N</b>
241	248	176	metal/sight glass	0.50	540	9000	16	G <sup>1</sup> / <sub>4</sub>	<b>LD-10M</b>
			metal				30		<b>LD-10N</b>
241	248	176	metal/sight glass	0.50	600	10000	16	G <sup>1</sup> / <sub>2</sub>	<b>LD-1AM</b>
			metal				30		<b>LD-1AN</b>
215	316	223	metal/sight glass	1.20	1620	27000	16	G <sup>1</sup> / <sub>2</sub>	<b>LD-12M</b>
			metal				30		<b>LD-12N</b>
215	316	223	metal/sight glass	1.20	1680	28000	16	G2	<b>LD-16M</b>
			metal				30		<b>LD-16N</b>



LD-01M/-02M



LD-03M/-04M



LD-06M/-08M

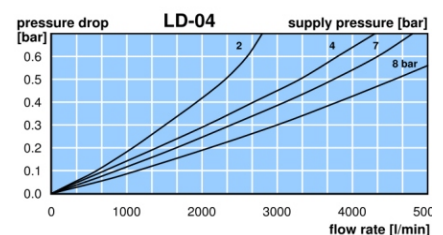
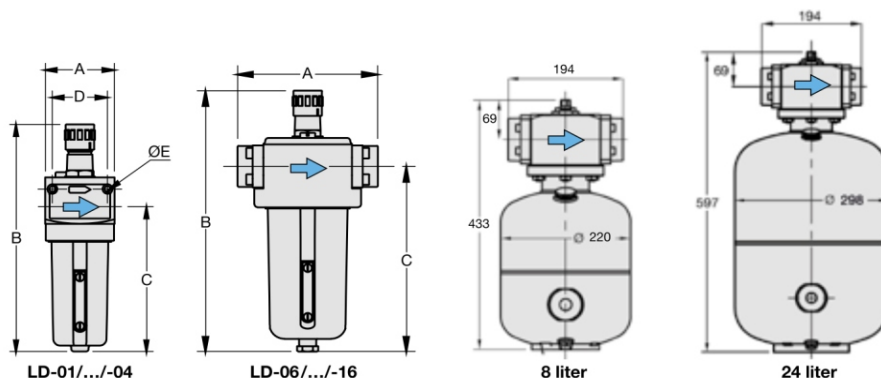


LD-12M/-16M

## Special options, add the appropriate letter

<b>8 liter bowl</b>	made of stainless steel, max. 30 bar	for G <sup>1</sup> / <sub>2</sub> (12) and G2	LD- 1.M08
<b>24 liter bowl</b>	made of stainless steel, max. 30 bar	for G <sup>1</sup> / <sub>2</sub> (12) and G2	LD- 1.M24
<b>flange connection</b>	according to EN-1092-1 or ASME B16.5	on request	LD- . . . F.

Type	D	Ø E
LD-01/02	30	4.5
LD-03/04	51	5.5



\*1 at 7 bar operating pressure and 0.33 bar pressure drop