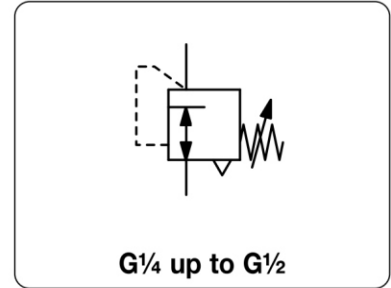


R510/R511/R512 - Régulateur de pression compact à débit élevé, G1/4" à G1/2"

3 types de commande manuelle possibles : molette, T, ou carré/contre-écrou

Description	Diaphragm pressure regulator in small design with large volume flow. Can be blocked with a filter or lubricator without using a double nipple. Compressed air or neutral gases	
Media	Compressed air or neutral gases	
Supply pressure	max. 20 bar	
Adjustment	with lockable adjustment knob for R510, with T-handle for R511, with adjustment screw for R512	
Relieving	relieving, optionally non relieving	
Gauge port	G $\frac{1}{8}$ on both sides, Screw plugs are supplied	
Mounting position	any	
Temperature range	0 °C to 80 °C	
Material	Body: aluminium die-cast Elastomer: NBR	Spring cage: plastic reinforced with glass fibre Inner valve: brass, plastic



Dimensions			K _v -value (m ³ /h)	Flow rate		Connection thread G	Pressure range bar	Order Number
A	B	C		m ³ /h*1	l/min*1			

Standard pressure regulator								supply pressure max. 20 bar, relieving, without pressure gauge	R510
73	135	42	1.8	132	2200	G $\frac{1}{4}$	0.2 ... 2	R510-02A	
							0.4 ... 4	R510-02B	
							1.0 ... 10	R510-02C	
							1.7 ... 17	R512-02D	
73	135	42	1.9	138	2300	G $\frac{3}{8}$	0.2 ... 2	R510-03A	
							0.4 ... 4	R510-03B	
							1.0 ... 10	R510-03C	
							1.7 ... 17	R512-03D	
73	135	42	2.0	144	2400	G $\frac{1}{2}$	0.2 ... 2	R510-04A	
							0.4 ... 4	R510-04B	
							1.0 ... 10	R510-04C	
							1.7 ... 17	R512-04D	



R510
with knob



R511
with T-handle



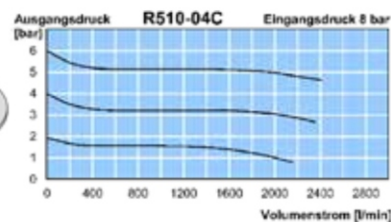
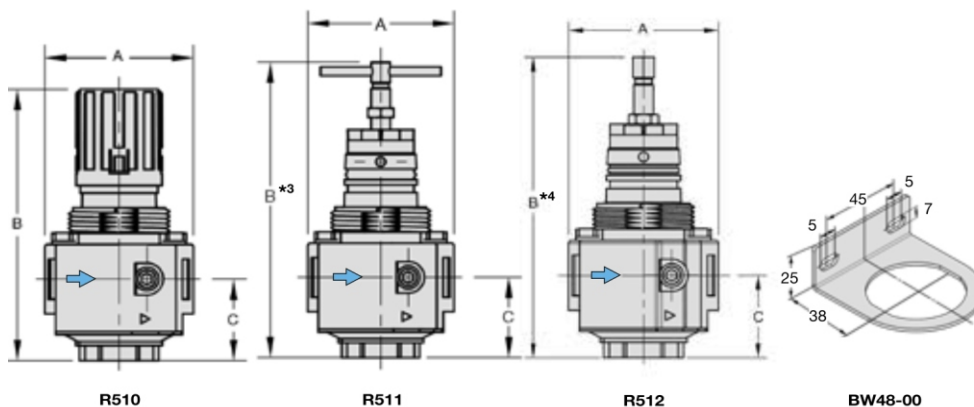
R512
with adjustment screw

Special options, add the appropriate letter

T-handle	with locknut	up to 10 bar	B + 20 mm	R511-0..
adjustment screw	with locknut	up to 10 bar	B + 20 mm	R512-0..
non relieving	without relieving function			R51.- 0..K
flange connection	according to EN-1092-1 or ASME B16.5	on request		R51.- 0. F.

Accessories, enclosed

pressure gauge	Ø 50 mm, 0...*2 bar, G $\frac{1}{8}$	MA5001- . . *2
mounting bracket	made of stainless steel	BW48-00
mounting nut	made of plastic	M48x1,5K



*1 at 8 bar supply pressure, 6 bar outlet pressure and 1 bar pressure drop
*2 02 = 0...2,5 bar, 04 = 0...4 bar, 06 = 0...6 bar, 10 = 0...10 bar, 16 = 0...16 bar, 25 = 0...25 bar