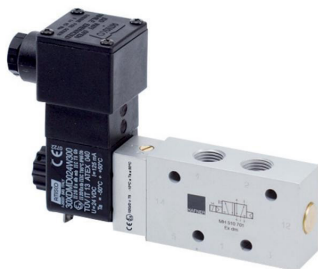


Distributeurs pneumatiques ATEX pour ambiances explosibles EEx dm - Corps aluminium - Plage de température standard



Material: Aluminum, anodized
 Zone: 1, 2, 21, 22
 Temperature range: -10°C ... +50°C
 Ignition protection type: Ex dm (encapsulated-flameproof with junction box)
 Temperature class: T5

Marking on valve: **CE** **Ex** II 2 G Ex h IIC T6 Gb
 -10°C ≤ Ta ≤ +50°C
CE **Ex** II 2 D Ex h III C T80°C
 Db -10°C ≤ Ta ≤ +50°C

Base plate assembly due to width of solenoid coil (36 mm) is not possible.

A low temperature version for -20°C ... +50°C is also available on request. Please note that the system is restricted by the minimum ambient temperature for the coil of -20°C.

The following solenoid valves are available:

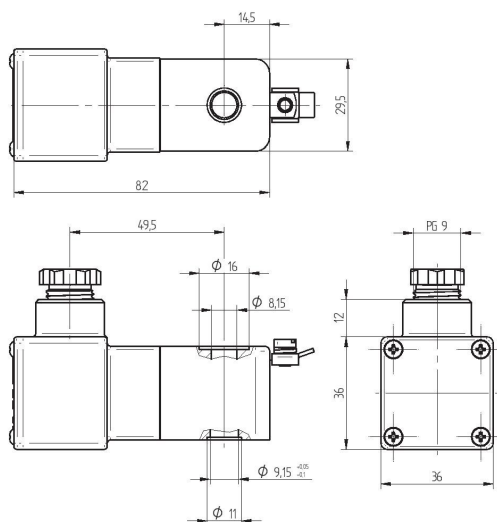
Type	Function	Port size	Installation
MH 210 501 Ex dm	2/2-way, single sol.	G 1/8"	in-line
MH 210 701 Ex dm	2/2-way, single sol.	G 1/4"	in-line
MH 311 012 Ex dm	3/2-way direct acting	M5	in-line
MH 311 015 Ex dm	3/2-way direct acting	G 1/8"	in-line
MH 310 501 Ex dm	3/2-way, single sol.	G 1/8"	in-line
MOH 310 501 Ex dm	3/2-way, n.o. single sol.	G 1/8"	in-line
MH 310 701 Ex dm	3/2-way, single sol.	G 1/4"	in-line
MOH 310 701 Ex dm	3/2-way, n.o. single sol.	G 1/4"	in-line
MH 310 801 Ex dm	3/2-way, single sol.	G 1/4"	in-line
MOH 310 801 Ex dm	3/2-way, n.o. single sol.	G 1/4"	in-line
MH 310 101 Ex dm	3/2-way, single sol.	G 3/8"	in-line
MOH 310 101 Ex dm	3/2-way, n.o. single sol.	G 3/8"	in-line
MH 310 121 Ex dm	3/2-way, single sol.	G 1/2"	in-line
MOH 310 121 Ex dm	3/2-way, n.o. single sol.	G 1/2"	in-line
MH 320 501 Ex dm	3/2-way, double sol.	G 1/8"	in-line
MH 320 701 Ex dm	3/2-way, double sol.	G 1/4"	in-line
MH 320 801 Ex dm	3/2-way, double sol.	G 1/4"	in-line
MH 320 101 Ex dm	3/2-way, double sol.	G 3/8"	in-line
MH 320 121 Ex dm	3/2-way, double sol.	G 1/2"	in-line
MH 510 501 Ex dm	5/2-way, single sol.	G 1/8"	in-line
MH 510 701 Ex dm	5/2-way, single sol.	G 1/4"	in-line
MH 510 801 Ex dm	5/2-way, single sol.	G 1/4"	in-line
MH 510 101 Ex dm	5/2-way, single sol.	G 3/8"	in-line
MH 510 121 Ex dm	5/2-way, single sol.	G 1/2"	in-line
MH 520 501 Ex dm	5/2-way, double sol.	G 1/8"	in-line
MH 520 701 Ex dm	5/2-way, double sol.	G 1/4"	in-line
MH 520 801 Ex dm	5/2-way, double sol.	G 1/4"	in-line
MH 520 101 Ex dm	5/2-way, double sol.	G 3/8"	in-line
MH 520 121 Ex dm	5/2-way, double sol.	G 1/2"	in-line
MH 53_ 501 Ex dm	5/3-way, different version	G 1/8"	in-line
MH 53_ 701 Ex dm	5/3-way, different version	G 1/4"	in-line
MH 53_ 801 Ex dm	5/3-way, different version	G 1/4"	in-line
MH 53_ 101 Ex dm	5/3-way, different version	G 3/8"	in-line
MH 53_ 121 Ex dm	5/3-way, different version	G 1/2"	in-line

Valves with interface according to NAMUR-standard			
Type	Function	Port size	Installation
MNH 350 701 Ex dm	3/2-way & 5/2-way	G 1/4"	1/4" NAMUR
MNH 310 701 Ex dm	3/2-way, single sol.	G 1/4"	1/4" NAMUR
MNH 310 711 Ex dm	3/2-way, single sol.	G 1/4"	1/4" NAMUR
MNH 310 121 Ex dm	3/2-way, single sol.	G 1/2"	1/2" NAMUR
MNH 510 701 Ex dm	5/2-way, single sol.	G 1/4"	1/4" NAMUR
MNH 510 711 Ex dm	5/2-way, single sol.	G 1/4"	1/4" NAMUR
MNH 510 121 Ex dm	5/2-way, single sol.	G 1/2"	1/2" NAMUR
MNH 520 701 Ex dm	5/2-way, double sol.	G 1/4"	1/4" NAMUR
MNH 520 121 Ex dm	5/2-way, double sol.	G 1/2"	1/2" NAMUR
MNH 53_ 701 Ex dm	5/3-way, different version	G 1/4"	1/4" NAMUR
MNH 53_ 121 Ex dm	5/3-way, different version	G 1/2"	1/2" NAMUR

Delivery contains valve with appropriate operator system, coil, manual and declaration of conformity.

MA 36 EEx dm IIC T5



When this solenoid system is used in combination with "ATEX certified" mechanical components conforming EN 13463-1:2001 and PrEN 13463-5:2000, the entire valve can be used in explosive hazardous environment zone 1, 2, 21 and 22.



MA 36 EEx dm IIC T5_ _



ATEX approved encapsulated coil with flameproof junction box for gas and dust explosion-hazardous environment.

Voltages:	12VDC, 24VDC, 24VAC, 110VAC, 230VAC
Voltage tolerance:	- 10...+ 10%
Relative duty cycle:	100 %
Temperature range:	-20°C...+50°C
Ignition protection type:	Coil encapsulated, junction box flameproof
Protection with connector according to EN 60529:	IP 66
Moulding material:	Thermoplasticpolyester
Coil rating according to DIN VDE 0580:	Class F
Cable Gland:	PG 9 DIN 40-430 for cable diameters 6 – 8 mm
Marking on coil:	  II 2G Ex db mb IIC T5 Gb II 2D Ex tb IIIC T95°C IP66 Db

As the coil is 36 mm wide, a spacer plate called "ZPN 8" has to be used, in case of combination with our NAMUR-valve series 700. If used with NAMUR-valve series 121 a spacer plate called "ZPN 6-5" has to be used. You can find both plates on page 2. 10. 12.

The ATEX approval is only valid as long as the associated components are used.

Type	Operating press.	Power cons.	Temperature class
MA 36 EEx dm IIC T5 12DC	max. 10 bar	3,0 Watt	T5 (100°C)
MA 36 EEx dm IIC T5 24DC	max. 10 bar	3,0 Watt	T5 (100°C)
MA 36 EEx dm IIC T5 24AC	max. 10 bar	4,8 VA	T5 (100°C)
MA 36 EEx dm IIC T5 110AC	max. 10 bar	4,8 VA	T5 (100°C)
MA 36 EEx dm IIC T5 230AC	max. 10 bar	4,8 VA	T5 (100°C)