



Distributeurs pneumatiques ATEX pour ambiances explosibles EEx e mb - Corps aluminium - Plage de température standard



Material: Aluminum, anodized
 Zone: 1, 2, 21, 22
 Temperature range: -10°C ... +50°C
 Ignition protection type: Ex e mb (encapsulation with junction box)
 Temperature class: T6

Marking on valve

CE  II 2 G Ex h IIC T6 Gb
 -10°C ≤ Ta ≤ +50°C
 CE  II 2 D Ex h IIC T80°C
 Db -10°C ≤ Ta ≤ +50°C

The following solenoid valves are available:

Type	Function	Port size	Installation
MH 310 501 Ex e mb	3/2-way, single sol.	G 1/8"	in-line
MOH 310 501 Ex e mb	3/2-way, n.o. single sol.	G 1/8"	in-line
MH 310 701 Ex e mb	3/2-way, single sol.	G 1/4" - 1/4" NPT	in-line
MOH 310 701 Ex e mb	3/2-way, n.o. single sol.	G 1/4" - 1/4" NPT	in-line
MH 310 801 Ex e mb	3/2-way, single sol.	G 1/4"	in-line
MOH 310 801 Ex e mb	3/2-way, n.o. single sol.	G 1/4"	in-line
MH 310 101 Ex e mb	3/2-way, single sol.	G 3/8"	in-line
MOH 310 101 Ex e mb	3/2-way, n.o. single sol.	G 3/8"	in-line
MH 310 121 Ex e mb	3/2-way, single sol.	G 1/2" - 1/2" NPT	in-line
MOH 310 121 Ex e mb	3/2-way, n.o. single sol.	G 1/2" - 1/2" NPT	in-line
MH 320 501 Ex e mb	3/2-way, double sol.	G 1/8"	in-line
MH 320 701 Ex e mb	3/2-way, double sol.	G 1/4"	in-line
MH 320 801 Ex e mb	3/2-way, double sol.	G 1/4"	in-line
MH 320 101 Ex e mb	3/2-way, double sol.	G 3/8"	in-line
MH 320 121 Ex e mb	3/2-way, double sol.	G 1/2"	in-line
MH 510 501 Ex e mb	5/2-way, single sol.	G 1/8"	in-line
MH 510 701 Ex e mb	5/2-way, single sol.	G 1/4" - 1/4" NPT	in-line
MH 510 801 Ex e mb	5/2-way, single sol.	G 1/4"	in-line
MH 510 101 Ex e mb	5/2-way, single sol.	G 3/8"	in-line
MH 510 121 Ex e mb	5/2-way, single sol.	G 1/2" - 1/2" NPT	in-line
MH 520 501 Ex e mb	5/2-way, double sol.	G 1/8"	in-line
MH 520 701 Ex e mb	5/2-way, double sol.	G 1/4" - 1/4" NPT	in-line
MH 520 801 Ex e mb	5/2-way, double sol.	G 1/4"	in-line
MH 520 101 Ex e mb	5/2-way, double sol.	G 3/8"	in-line
MH 520 121 Ex e mb	5/2-way, double sol.	G 1/2" - 1/2" NPT	in-line
MH 53_ 501 Ex e mb	5/3-way, different versions	G 1/8"	in-line
MH 53_ 701 Ex e mb	5/3-way, different versions	G 1/4" - 1/4" NPT	in-line
MH 53_ 801 Ex e mb	5/3-way, different versions	G 1/4"	in-line
MH 53_ 101 Ex e mb	5/3-way, different versions	G 3/8"	in-line
MH 53_ 121 Ex e mb	5/3-way, different versions	G 1/2" - 1/2" NPT	in-line

Valves with interface according to NAMUR-standard

MNH 350 701 Ex e mb	3/2-way & 5/2-way	G 1/4" - 1/4" NPT	1/4" NAMUR
MNH 310 701 Ex e mb	3/2-way, single sol.	G 1/4" - 1/4" NPT	1/4" NAMUR
MNH 310 711 Ex e mb	3/2-way, single sol.	G 1/4"	1/4" NAMUR
MNH 310 121 Ex e mb	3/2-way, single sol.	G 1/2" - 1/2" NPT	1/2" NAMUR
MNH 510 701 Ex e mb	5/2-way, single sol.	G 1/4" - 1/4" NPT	1/4" NAMUR
MNH 510 711 Ex e mb	5/2-way, single sol.	G 1/4"	1/4" NAMUR
MNH 510 121 Ex e mb	5/2-way, single sol.	G 1/2" - 1/2" NPT	1/2" NAMUR
MNH 520 701 Ex e mb	5/2-way, double sol.	G 1/4" - 1/4" NPT	1/4" NAMUR
MNH 520 121 Ex e mb	5/2-way, double sol.	G 1/2" - 1/2" NPT	1/2" NAMUR
MNH 53_ 701 Ex e mb	5/3-way, different versions	G 1/4" - 1/4" NPT	1/4" NAMUR
MNH 531 121 Ex e mb	5/3-way, centre closed	G 1/2" - 1/2" NPT	1/2" NAMUR

Example drawings including the solenoid are displayed on page 2.14.3.5.5.


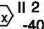


Delivery contains valve with the appropriate operator system, coil, manual and declaration of conformity.

Distributeurs pneumatiques ATEX pour ambiances explosibles EEx e mb - Corps aluminium - Basse température



Material: Aluminum, anodized
 Zone: 1, 2, 21, 22
 Temperature range: -40°C ... +50°C ❄️
 Ignition protection type: Ex e mb (encapsulation with junction box)
 Temperature class: T6

Marking on valve


 II 2 G Ex h IIC T6 Gb
 -40°C ≤ Ta ≤ +50°C

 II 2 D Ex h IIC T80°C
 Db -40°C ≤ Ta ≤ +50°C

The following solenoid valves are available:

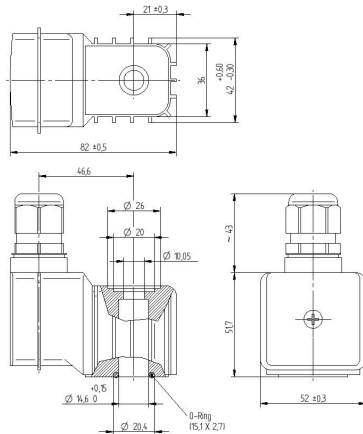
Type	Function	Port size	Installation
MH 310 501 TT Ex e mb	3/2-way, single sol.	G 1/8"	in-line
MOH 310 501 TT Ex e mb	3/2-way, n.o. single sol.	G 1/8"	in-line
MH 310 701 GTT Ex e mb	3/2-way, single sol.	G 1/4" - 1/4" NPT	in-line
MOH 310 701 GTT Ex e mb	3/2-way, n.o. single sol.	G 1/4" - 1/4" NPT	in-line
MH 320 501 TT Ex e mb	3/2-way, double sol.	G 1/8"	in-line
MH 320 701 TT Ex e mb	3/2-way, double sol.	G 1/4"	in-line
MH 510 501 GTT Ex e mb	5/2-way, single sol.	G 1/8"	in-line
MH 510 701 GTT Ex e mb	5/2-way, single sol.	G 1/4" - 1/4" NPT	in-line
MH 520 501 GTT Ex e mb	5/2-way, double sol.	G 1/8"	in-line
MH 520 701 GTT Ex e mb	5/2-way, double sol.	G 1/4" - 1/4" NPT	in-line
MH 53_501 GTT Ex e mb	5/3-way, different versions	G 1/8"	in-line
MH 53_701 GTT Ex e mb	5/3-way, different versions	G 1/4" - 1/4" NPT	in-line

Valves with interface according to NAMUR-standard			
MNH 310 701 TT Ex e mb	3/2-way, single sol.	G 1/4" - 1/4" NPT	1/4" NAMUR
MNH 510 701 TT Ex e mb	5/2-way, single sol.	G 1/4" - 1/4" NPT	1/4" NAMUR
MNH 510 711 TT Ex e mb	5/2-way, single sol.	G 1/4"	1/4" NAMUR
MNH 520 701 TT Ex e mb	5/2-way, double sol.	G 1/4" - 1/4" NPT	1/4" NAMUR
MNH 531 701 TT Ex e mb	5/3-way, centre closed	G 1/4" - 1/4" NPT	1/4" NAMUR

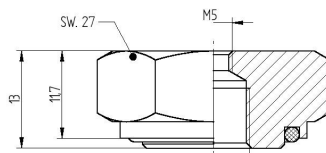
Delivery contains valve with the appropriate operator system, coil, manual and declaration of conformity.

MA 52 EEx e mb IIC T6

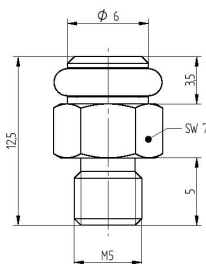
When this solenoid system is used in combination with "ATEX certified" mechanical components conforming EN 13463-1:2001 and PrEN 13463-5:2000, the entire valve can be used in explosive hazardous environment zone 1, 2, 21 and 22.



MA 52 EEx e mb IIC T6



M G1/8 M5



ESR M5



Details of junction box

ATEX approved encapsulated coil with junction box for gas and dust explosion-hazardous environment.

Voltage tolerance: - 10...+ 10%
Relative duty cycle: 100 %
Temperature range: -40°C...+50°C

Insulation class of insulating Materials according to DIN VDE 0580: F

Protection according to EN 60529: IP 65
(IP 67 with nut type M G1/8 M5 in combination with exhaust protection fitting type ESR M5)

Moulding material: Thermoplasticpolyester

Cable Gland: M20 x 1,5
for cable diameters 6 – 13 mm

Please note:
Same coil for DC and AC.

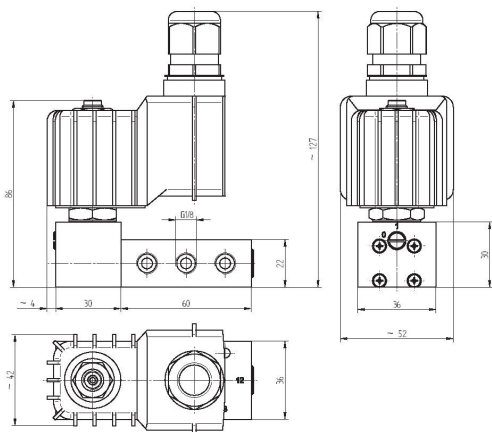
Marking on coil:  II 2G Ex e mb IIC T6 Gb
II 2D Ex tb mb IIIC T80°C Db

The ATEX approval is only valid as long as the associated components are used.

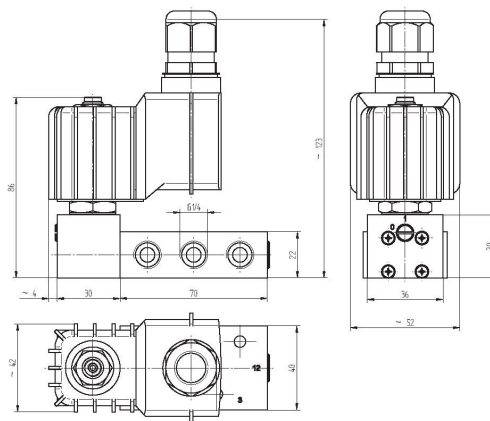
Important installation instructions:
Connecting cables and connecting lines shall be suitable for permanent application in a temperature range of -40 °C up to +105 °C and must be laid fixed to the device. The user shall provide for a strain relief. When using silicone or silicone-containing cables for connection or cables that are not resistant to scoring, these shall be protected against mechanical damage. For further instructions, please ask us for the operating manual.

Type	Operating press.	Power cons.	Temperature class
MA 52 EEx e mb IIC T6 24	max. 10 bar	4,8 Watt	T6 (85° C)
MA 52 EEx e mb IIC T6 110	max. 10 bar	4,8 Watt	T6 (85° C)
MA 52 EEx e mb IIC T6 230	max. 10 bar	4,8 Watt	T6 (85° C)

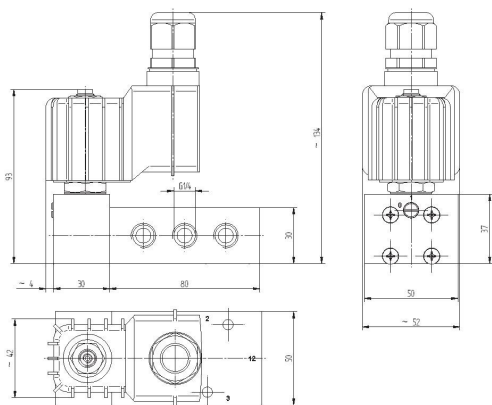
Bobines EEx e mb - Spécifications - Largeur 52 mm - Sur connecteur
Exemples d'implantations sur distributeurs



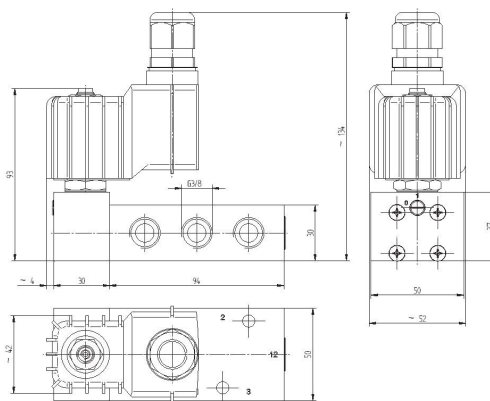
MH 510 501 Ex e mb IIC T6



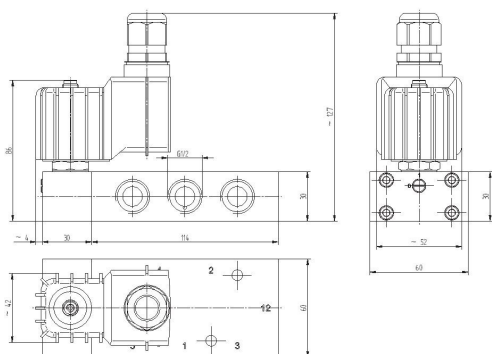
MH 510 701 Ex e mb IIC T6 /
 MNH 510 701 EX e mb IIC T6



MH 510 801 Ex e mb IIC T6



MH 510 101 Ex e mb IIC T6



MH 510 121 Ex e mb IIC T6 /
 MNH 510 121 Ex e mb IIC T6