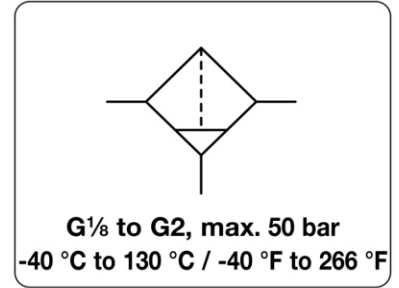


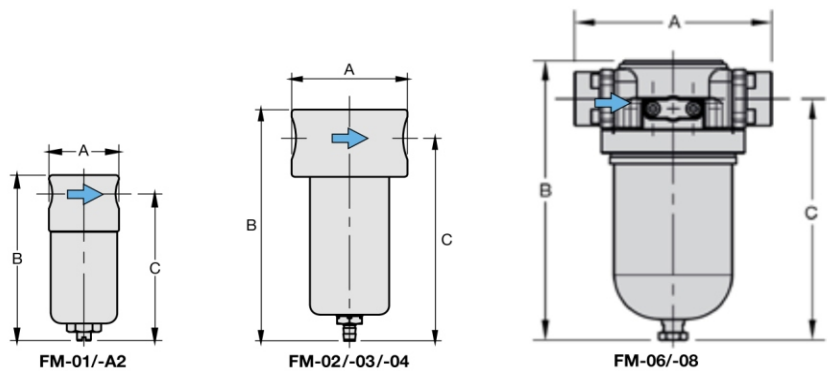
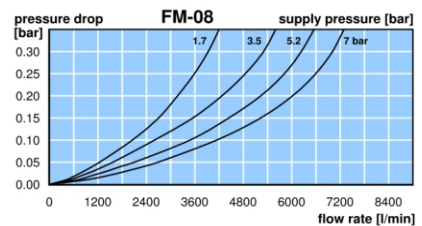
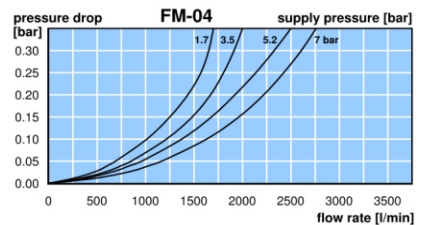
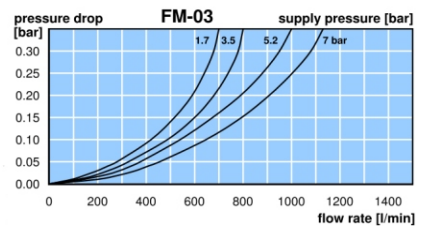
# FM - Filtre très robuste pour air comprimé, gaz et liquides, bol en acier inoxydable et corps en laiton

<b>Description</b>	Filter with bowl without sight glass, extremely robust, for compressed air, non-corrosive gases or liquids.
<b>Filter element</b>	50 µm, optionally 5 µm, made of stainless steel, Coalescing filter 0.01 µm at 99.99 % <b>Bowl</b> stainless steel version without sight glass
<b>Drainage</b>	screw plug as standard optionally for compressed air only: manual drain (max. 30 bar), automatic drain (max. 16 bar) max. 50 bar (without drain), optionally manual drain (max. 30 bar) or automatic drain (max. 16 bar)
<b>Operating pressure</b>	max. 50 bar
<b>Temperature range</b>	0 °C to 80 °C / 32 °F to 140 °F, for FKM or EPDM, 0 °C to 130 °C / 32 °F to 266 °F, for high temperature version, for appropriately conditioned compressed air down to -20 °C / -4 °F or low temperature version down to -40 °C / -40 °F
<b>Material</b>	Body: brass Bowl: stainless steel 316L, material no 1.4404, brass at FM-01/-A2 Elastomer: FKM, optionally EPDM Inner valve: brass and plastic (not at high temperature version)



Dimensions			Bowl	Flow	Supply	Filter	Connection	Order
A	B	C	Design	rate	max.	element	thread	number
mm	mm	mm	made of	l m <sup>3</sup> /h*1	l/min*1	µm	G	

Brass filter									FM	
with screw plug, operating pressure max. 50 bar, 50 µm										
40	92	81	stainless steel	0.03	45	750	50	50	G <sup>1</sup> / <sub>8</sub>	<b>FM-01</b> <b>FM-01G</b>
40	92	81	stainless steel	0.03	45	750	50	5	G <sup>1</sup> / <sub>4</sub>	<b>FM-A2</b> <b>FM-A2G</b>
64	140	125	stainless steel	0.14	54	900	50	50	G <sup>1</sup> / <sub>4</sub>	<b>FM-02</b> <b>FM-02G</b> <b>FM-02I</b>
64	149	133						0.01		
64	140	125	stainless steel	0.14	60	1000	50	50	G <sup>3</sup> / <sub>8</sub>	<b>FM-03</b> <b>FM-03G</b> <b>FM-03I</b>
64	149	133						0.01		
79	150	130	stainless steel	0.20	150	2500	50	50	G <sup>1</sup> / <sub>2</sub>	<b>FM-04</b> <b>FM-04G</b> <b>FM-04I</b>
79	158	138						0.01		
136	194	167	stainless steel	0.50	432	7200	50	50	G <sup>3</sup> / <sub>4</sub>	<b>FM-06</b> <b>FM-06G</b> <b>FM-06I</b>
								5		
								0.01		
136	194	167	stainless steel	0.50	432	7200	50	50	G1	<b>FM-08</b> <b>FM-08G</b> <b>FM-08I</b>
								5		
								0.01		
247	194	167	stainless steel	0.50	432	7200	50	50	G <sup>1</sup> / <sub>4</sub>	<b>FM-10</b> <b>FM-10G</b> <b>FM-10I</b>
								5		
								0.01		
247	194	167	stainless steel	0.50	432	7200	50	50	G <sup>1</sup> / <sub>2</sub>	<b>FM-1A</b> <b>FM-1AG</b> <b>FM-1AI</b>
								5		
								0.01		
174	248	213	stainless steel	1.00	1380	23000	50	50	G <sup>1</sup> / <sub>2</sub>	<b>FM-12</b> <b>FM-12G</b>
						1050	17500	5		
174	248	213	stainless steel	1.00	1380	23000	50	50	G2	<b>FM-16</b> <b>FM-16G</b>
						1050	17500	5		

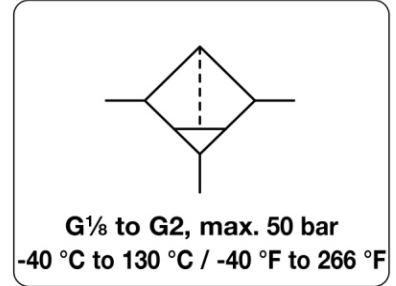


\*1 at 7 bar operating pressure and 0.33 bar pressure drop



# FM - Filtre très robuste pour air comprimé, gaz et liquides, bol en acier inoxydable et corps en laiton

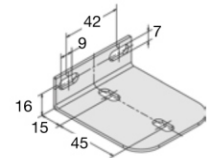
<b>Description</b>	Filter with bowl without sight glass, extremely robust, for compressed air, non-corrosive gases or liquids.
<b>Filter element</b>	50 µm, optionally 5 µm, made of stainless steel, Coalescing filter 0.01 µm at 99.99 % <b>Bowl</b> stainless steel version without sight glass
<b>Drainage</b>	screw plug as standard optionally for compressed air only: manual drain (max. 30 bar), automatic drain (max. 16 bar)
<b>Operating pressure</b>	max. 50 bar (without drain), optionally manual drain (max. 30 bar) or automatic drain (max. 16 bar)
<b>Temperature range</b>	0 °C to 80 °C / 32 °F to 140 °F, for FKM or EPDM, 0 °C to 130 °C / 32 °F to 266 °F, for high temperature version, for appropriately conditioned compressed air down to -20 °C / -4 °F or low temperature version down to -40 °C / -40 °F
<b>Material</b>	Body: brass Bowl: stainless steel 316L, material no 1.4404, brass at FM-01/-A2 Elastomer: FKM, optionally EPDM Inner valve: brass and plastic (not at high temperature version)



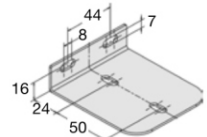
Dimensions			Bowl	Flow	Supply	Filter	Connection	Order
A	B	C	Design	Capacity	rate	element	thread	number
mm	mm	mm	made of	l	m <sup>3</sup> /h*1	l/min*1	µm	G

### Special options, add the appropriate letter

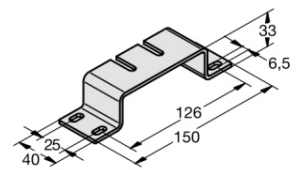
<b>NPT</b>	connection thread	FM-..N
<b>down to -40 °C</b>	low temperature version	FM-..X51
<b>upto 130 °C</b>	high temperature version	FM-..X54
<b>manual drain</b>	max. 30 bar	FM-..H
<b>automatic drain</b>	made of SST, max. 16 bar	FM-..R
<b>EPDM-elastomer</b>		FM-..E
<b>carbon dioxide</b>	CO <sub>2</sub>	FM-..03
<b>argon</b>	Ar	FM-..05
<b>nitrogen</b>	N <sub>2</sub>	FM-..07
<b>helium</b>	He	FM-..09
<b>hydrogen</b>	H <sub>2</sub>	FM-..11
<b>methane</b>	CH <sub>4</sub>	FM-..13
<b>oxygen</b>	O <sub>2</sub>	FM-..15
<b>propane</b>	C <sub>3</sub> H <sub>8</sub>	FM-..16
<b>nitrous oxide</b>	N <sub>2</sub> O	FM-..17
<b>for water</b>	50 µm only	FM-..W
<b>flange connection</b>	according to EN-1092-1 or ASME B16.5	FM-..F.



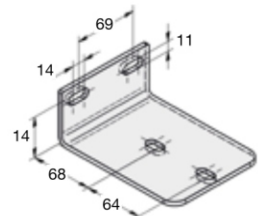
**BW00-17S**



**BW00-18S**



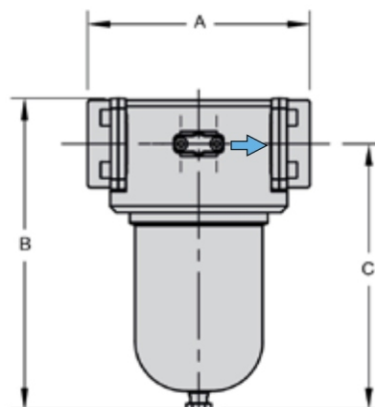
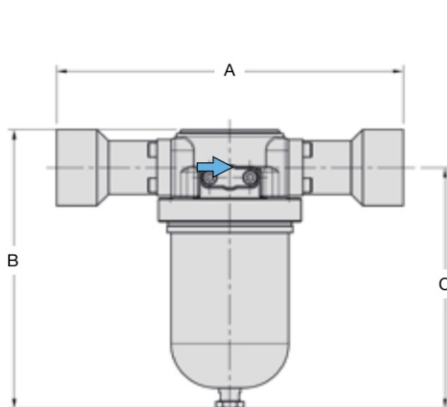
**BW00-59S**



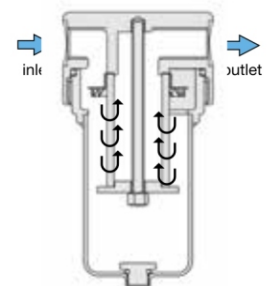
**BW00-63S**

### Accessories, enclosed

<b>mounting bracket</b>	made of stainless steel	for G <sup>1</sup> / <sub>4</sub> (02) and G <sup>3</sup> / <sub>8</sub>	<b>BW00-17S</b>
		for G <sup>1</sup> / <sub>2</sub>	<b>BW00-18S</b>
		for G <sup>3</sup> / <sub>4</sub> to G <sup>1</sup> / <sub>2</sub> (1A)	<b>BW00-19S</b>
<b>set of brackets</b>	made of stainless steel	for G <sup>1</sup> / <sub>2</sub> (12) and G2	<b>BW00-63S</b>



**FM-12/-16**



**cross-section**

\*1 at 7 bar operating pressure and 0.33 bar pressure drop