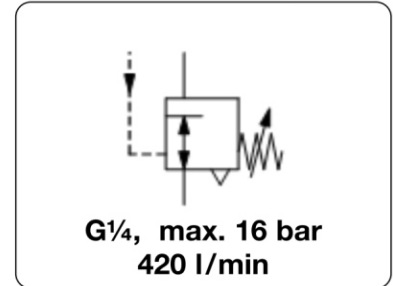


R218 - Régulateur de pression, à boucle externe, recommandé pour la commande directe de régulateurs pilotés à fort débit

Description	Diaphragm pressure regulator in small design for "feedback systems" in conjunction with volume flow boosters. Due to the external feedback, regulation is significantly improved and the flow rate increased.			
Media	compressed air and non-corrosive gases			
Supply pressure	max. 16 bar	Air consumption	approx. 3 to 6 l/min	
Adjustment	by handwheel with snap-lock, for panel mounting			
External Feedback	should be installed at the outlet of the booster, e.g. at the gauge port, or at the outlet pipe. This will measure the pressure drop at the output of the booster and the pilot pressure will be readjusted.			
Relieving function	relieving			
Gauge port	G $\frac{1}{4}$ on both sides of the body, screw plugs supplied	Feedback connection	G $\frac{1}{4}$	
Temperature range	0 °C to 60 °C / 32 °F to 140 °F		Mounting position	any
Material	Body: zinc die-casting	Spring cage: zinc die-casting	Elastomer: FKM	



Dimensions			Kv-value (m ³ /h)	Flow rate m ³ /h*1 l/min*1	Connection thread G	Pressure range bar	Order number
A	B	C					
mm	mm	mm					

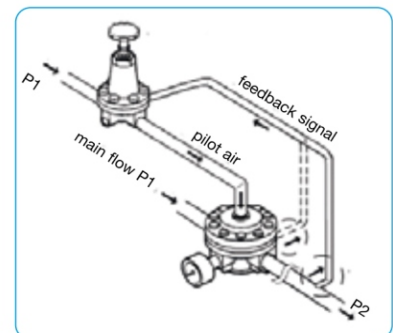
Regulator with external feedback				supply pressure max. 16 bar, relieving, with air consumption	R218
82	154	19	0,3	25 420	G $\frac{1}{4}$ 0.2...7.0 R218-02C



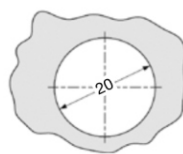
R218

Accessories, enclosed

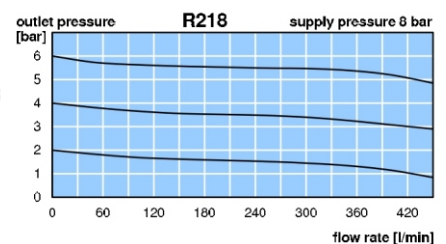
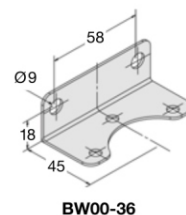
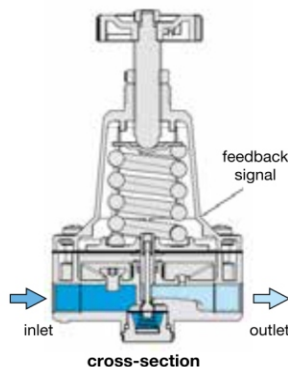
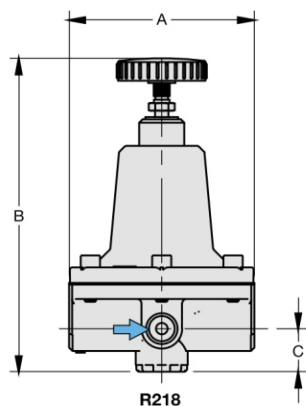
pressure gauge	Ø 63 mm, 0...10 bar, G $\frac{1}{4}$	MA6302-10
mounting bracket	made of steel	BW00-36
mounting nut	made of brass	M20x1,5M



Example: combination with booster



panel cut-out



*1 at 8 bar supply pressure, 6 bar outlet pressure and 1 bar pressure drop