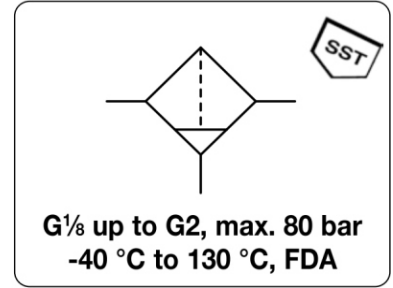


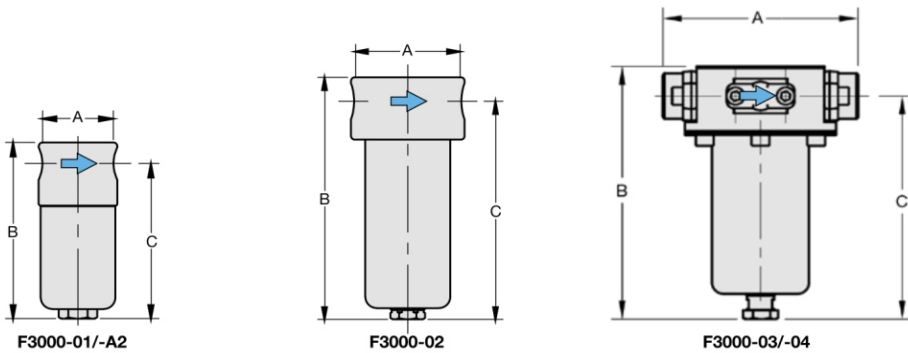
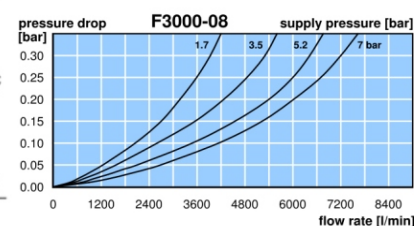
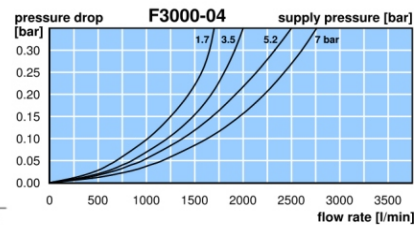
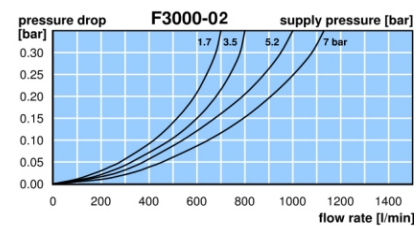
F3000 - Filtre en acier inoxydable 316L, pour air comprimé, gaz et liquides, 50 bar, raccordement de G1/8" à G2", homologué FDA, -40 à +130°C

Description	Filter with bowl without sight glass completely made of stainless steel, extremely robust, suitable for compressed air, gases or liquids. Application examples are the chemistry, petroleum processing as well as food industry and medical technology.
Filter element	50 µm, optionally 5 µm, made of stainless steel, coalescing filter 0.1 µm at 99,99%
Bowl	stainless steel version without sight glass
Drainage	screw plug as standard, optionally for compressed air only: manual drain (max. 30 bar), automatic drain (max. 16 bar)
Operating pressure	max. 50 bar (without drain), optionally manual drain (max. 30 bar) or automatic drain (max. 16 bar)
Temperature range	0 °C to 80 °C / 32 °F to 176 °F for FKM or EPDM 0 °C to 130 °C / 32 °F to 266 °F for high temperature version, for appropriately conditioned compressed air down to -20 °C / -4 °F, or low temperature version down to -40°C / -40 °F
Material	Body: stainless steel 316L, material no. 1.4404 Bowl: stainless steel 316L, material no. 1.4404 Elastomer: FKM, optionally EPDM Inner valve: stainless steel 316L, material no. 1.4404



Dimensions			Bowl capacity l	Flow rate m³/h*1	P ₁ max. bar	Filter element µm	Connection thread G	Order number	Price C* €
A	B	C							

Stainless steel filter, up to 50 bar with screw plug								F3000	
40	92	81	0,03	45	750	50	50	G1/8	F3000-01
							5		F3000-01G
40	92	81	0,03	45	750	50	50	G1/4	F3000-A2
							5		F3000-A2G
64	140	125	0,14	54	900	50	50	G1/4	F3000-02
							5		F3000-02G
							0,01		F3000-02I
109	140	123	0,2	150	2500	50	50	G3/8	F3000-03
							5		F3000-03G
							0,01		F3000-03I
64	140	125	0,14	54	900	50	50	G1/2	F3000-04
							5		F3000-04G
							0,01		F3000-04I
79	158	138	0,2	150	2500	50	50	G3/4	F3000-06
							5		F3000-06G
							0,01		F3000-06I
137	194	167	0,50	432	7200	50	50	G1	F3000-08
							5		F3000-08G
							0,01		F3000-08I
241	194	167	0,50	432	7200	50	50	G1 1/4	F3000-10
							5		F3000-10G
							0,01		F3000-10I
241	194	167	0,50	432	7200	50	50	G1 1/2	F3000-1A
							5		F3000-1AG
							0,01		F3000-1AI
174	248	218	1,00	1380	23000	50	50	G1 1/2	F3000-12
				1050	17500		5		F3000-12G
174	248	218	1,00	1380	23000	50	50	G2	F3000-16
				1050	17500		5		F3000-16G



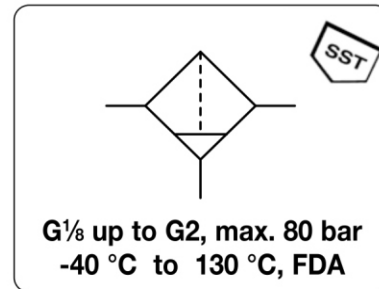
*1 at 7 bar operating pressure and 0.33 bar pressure drop

* Product group



F3000 - Filtre en acier inoxydable 316L, pour air comprimé, gaz et liquides, 50 bar, raccordement de G1/8" à G2", homologué FDA, -40 à +130°C

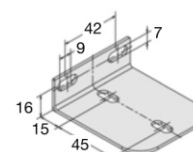
Description	Filter with bowl without sight glass completely made of stainless steel, extremely robust, suitable for compressed air, gases or liquids. Application examples are the chemistry, petroleum processing as well as food industry and medical technology.
Filter element	50 µm, optionally 5 µm, made of stainless steel, coalescing filter 0.1 µm at 99,99%
Bowl	stainless steel version without sight glass
Drainage	screw plug as standard, optionally for compressed air only: manual drain (max. 30 bar), automatic drain (max. 16 bar)
Operating pressure	max. 50 bar (without drain), optionally manual drain (max. 30 bar) or automatic drain (max. 16 bar)
Temperature range	0 °C to 80 °C / 32 °F to 176 °F for FKM or EPDM 0 °C to 130 °C / 32 °F to 266 °F for high temperature version, for appropriately conditioned compressed air down to -20 °C / -4 °F, or low temperature version down to -40 °C / -40 °F
Material	Body: stainless steel 316L, material no. 1.4404 Bowl: stainless steel 316L, material no. 1.4404 Elastomer: FKM, optionally EPDM Inner valve: stainless steel 316L, material no. 1.4404



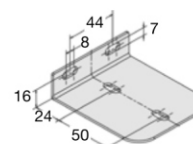
Dimensions			Bowl capacity	Flow rate	P ₁ max.	Filter element	Connection thread	Order number
A	B	C						
mm	mm	mm	l	m ³ /h*1	l/min*1	µm	G	

Special options, add the appropriate letter

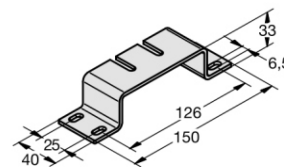
NPT	connection thread		F3000-.. N
P₁: max. 80 bar		for G1/4 (02) to G2	F3000-.. X48
down to -40 °C / -40 °F	low temperature version		F3000-.. X51
up to 130 °C / 266 °F	high temperature version		F3000-.. X54
manual drain	max. 30 bar		F3000-.. H
automatic drain	max. 16 bar	for G1/4 (02) to G2	F3000-.. R
EPDM-elastomer			F3000-.. E
EPDM-elastomer	FDA-approval		F3000-.. TD
ammonia	NH ₃	P ₁ max. 15 bar	F3000-... 02
carbon dioxide	CO ₂		F3000-... 03
argon	Ar		F3000-... 05
nitrogen	N ₂		F3000-... 07
helium	He		F3000-... 09
hydrogen	H ₂		F3000-... 11
methane	CH ₄		F3000-... 13
natural gas *2			F3000-... 14
oxygen	O ₂		F3000-... 15
propane	C ₃ H ₈		F3000-... 16
nitrous oxide	N ₂ O		F3000-... 17
flange connection	according to EN-1092-1 or ASME B16.5		F3000-... F.



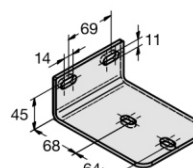
BW00-17S



BW00-18S



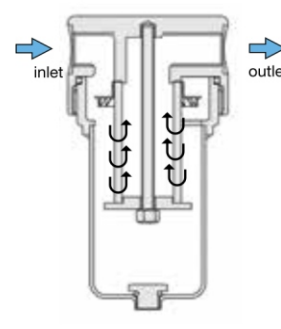
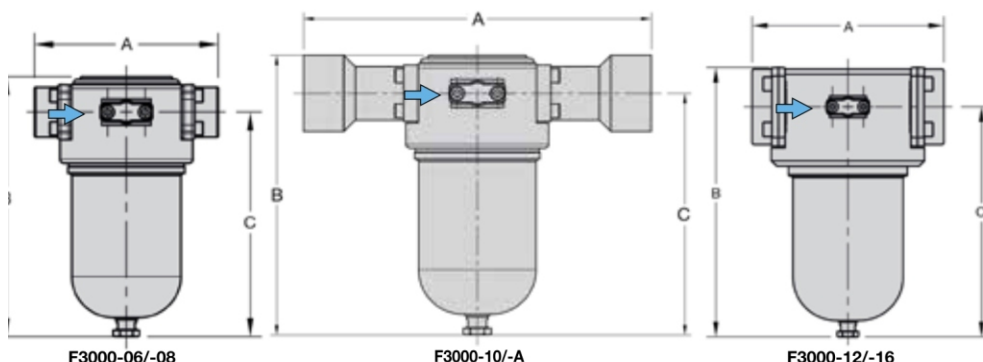
BW00-59S



BW00-63S

Accessories, enclosed

mounting bracket	for G1/4 (02)	BW00-17S
	for G1/2 (only 041)	BW00-18S
	for G3/8 to G1 1/2 (1A)	BW00-59S
	for G1 1/2 (12) and G2	BW00-63S



*1 at 7 bar operating pressure and 0.33 bar pressure drop

*2 without DWVG-approval