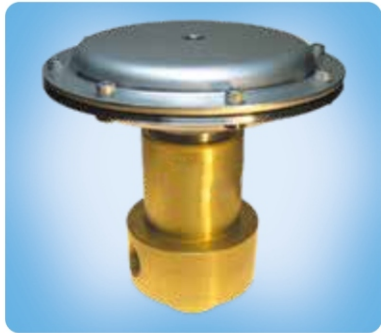
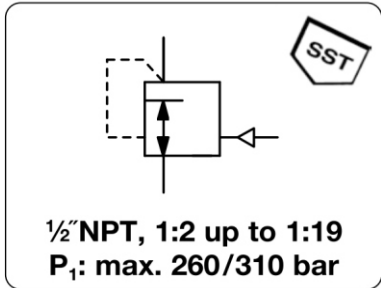


# RH3-J - Régulateur de pression piloté haute pression à dôme - Booster amplificateur de débit, pour air, gaz et liquides. Rapport d'amplification 1:2 à 1:19

<b>Description</b>	Highly reliable high pressure volume booster with diaphragm and high flow. In addition, the booster features high sensitivity and excellent regulating characteristics.		
<b>Media</b>	compressed air, non-corrosive gases or liquids		
<b>Supply pressure</b>	max. 260 bar, optionally 345 bar or 310 bar		
<b>Test pressure</b>	150% of maximum supply pressure according to regulations ANSI / ASME B31.3		
<b>Pilot pressure</b>	see chart, pilot port G $\frac{1}{8}$		
<b>Leakage rate</b>	< 1x 10 <sup>-4</sup> mbar l/s He		
<b>Air consumption</b>	without constant bleed		
<b>Relieving function</b>	non-relieving		
<b>Gauge port</b>	not available, optionally 1/4" NPT at inlet and outlet		
<b>Mounting position</b>	any		
<b>Temperature range</b>	-25 °C to 100 °C / -13 °F to 212 °F		
<b>Material</b>	Body: brass, optionally stainless steel	Elastomer: FKM	Inner valve: PTFE, brass or optionally stainless steel



RH3-J

Dimensions			K <sub>v</sub> -value	Flow rate	Pilot pressure	Pressure range	Transmission ratio	Order number
A	B	C	(m <sup>3</sup> /h)	m <sup>3</sup> /h*1	l/min*1	max. bar	signal : outlet	
mm	mm	mm				bar		

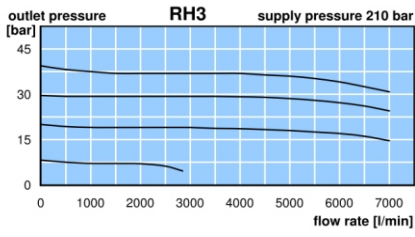
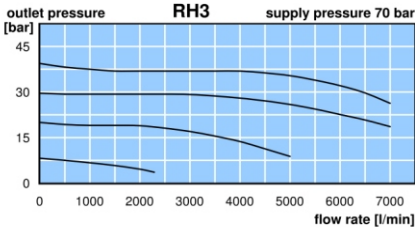
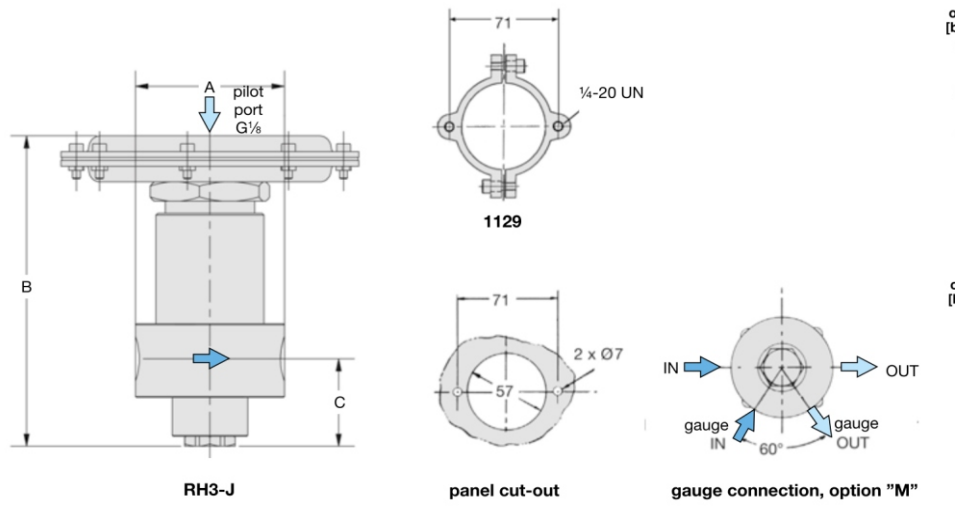
High pressure booster			supply pressure max. 260 bar, non-relieving, 1/2" NPT without constant bleed, without gauge port				RH3-J		
76	170	45	1.7	420	7 000	21	3... 42	1 : 2	<b>RH3-J402</b>
						17	5... 70	1 : 4	<b>RH3-J404</b>
						5	3... 42	1 : 8	<b>RH3-J408</b>
						5	5... 70	1 : 13	<b>RH3-J413</b>
						5	10... 104	1 : 19	<b>RH3-J419</b>

### Special options, add the appropriate letter

3/4" NPT	connection thread		RH3-J6 . .
SST, 310 bar	body made of stainless steel 316		RH3-J . . .S1
for liquids	no filter at inlet port		RH3-J . . .W
gauge port	1/4" NPT for inlet and outlet		RH3-J . . .M
brass gauge	for brass body, on the input side	MHM +78,00	output side RH3-J . . .MGM
SST gauge	for SST body, on the input side	MH +137,00	output side RH3-J . . .MGO

### Accessories, enclosed

set of brackets	for panel mounting	1129
-----------------	--------------------	------



\*1 at 210 bar supply pressure and 40 bar outlet pressure

