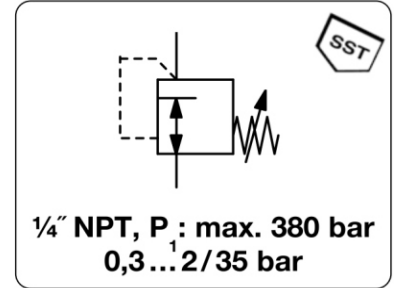


# RHB-S - Détendeur haute pression en inox, pour air et gaz neutres

<b>Description</b>	Diaphragm-operated high pressure regulator made of stainless steel.		
<b>Media</b>	compressed air or neutral gases		
<b>Supply pressure</b>	max. 380 bar		
<b>Adjustment</b>	by T-handle with locknut		
<b>Relieving function</b>	non-relieving		
<b>Gauge port</b>	1/4" NPT on both sides of the body, screw plugs supplied		
<b>Mounting position</b>	any		
<b>Temperature range</b>	0 °C to 106 °C / 32 °F to 223 °F, for appropriately conditioned compressed air down to -40 °C / -40 °F		
<b>Material</b>	Body: stainless steel 316, material no. 1.4401	O-rings: NBR/Buna-N	Valve seat: nylon, optionally PTFE
	Diaphragm: Monel 400		



Dimensions			K <sub>v</sub> value (m <sup>3</sup> /h)	Flow rate		Connection thread NPT	Pressure range bar	Order number
A	B	C		m <sup>3</sup> /h*1	l/min*1			

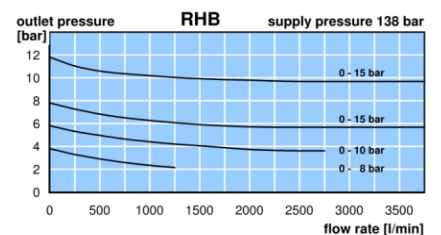
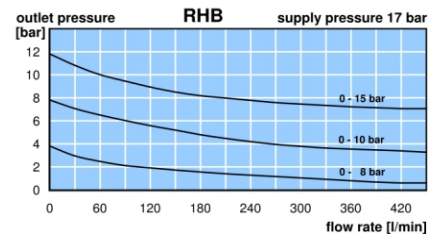
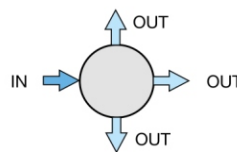
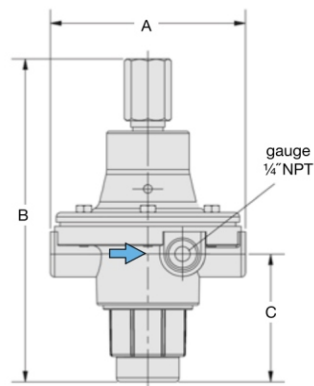
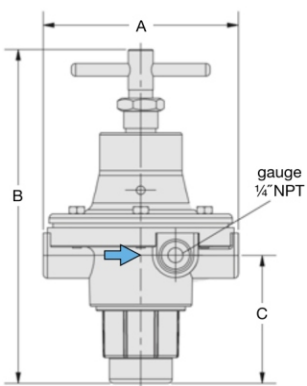
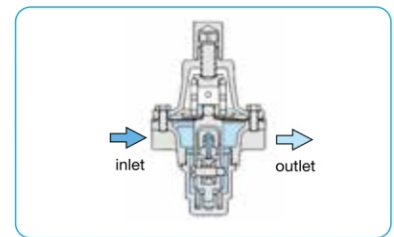
## High pressure regulator 380 bar by T-handle with locknut, non-relieving, nylon seat, NBR/Buna-N RHB-S

85	156	60	0.13	240	4000	1/4" NPT	0.3 ... 2	RHB-02AS
							0.3 ... 4	RHB-02BS
							0.3 ... 8	RHB-02CS
							0.3 ... 10	RHB-02DS
							0.3 ... 15	RHB-02ES
85	177	60					0.3 ... 35	RHB-02FS



## Special options, add the appropriate letter

<b>tamper-proof cap</b>	made of SST, total height 150 mm or rather 172 mm	RHB-02 . ST
<b>PTFE-valve seat*2</b>		RHB-02 . S1



\*1 P<sub>1</sub> = 138 bar, P<sub>2</sub> = 10 bar and Δp = 3 bar

\*2 Pressure range 1,5...35 bar by RHB-02FS