

Description The pressure transducer converts pneumatic pressure into a proportional electrical signal for use in computers and microprocessors etc. Type D9A is a 2-wire pressure current transducer. Type D9V is a 3-wire pressure voltage transducer.

Operation Pressure to the unit is continuously monitored by a high-performance miniature silicon semi-conductor transducer, and converted to a proportional voltage or current signal.

Media All media compatible with stainless steel 1.4305 or 303.

Supply voltage 9 to 32V (D9A) and 12 to 32V (D9V), maximum load current of source: 2 mA

Outlet signal 4 ... 20 mA: power consumption 260 mW 0 ... 10V: power consumption, no load: max. 9.5 mA

Linearity/Hysteresis typ. < 0.2 % FS < 0.5% FS max. **Supply effect:** < 0.002% FS/V of span and zero

Repeatability typ. < 0.1 % FS < 0.5% FS max. **Outlet noise:** < 0.04 % FS at 0<f<1kHz

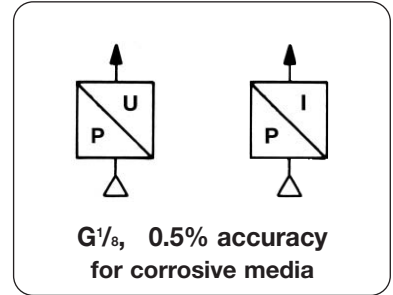
Temperature effect typ. < 0.02% FS/°C < 0.05% FS/°C max. **Response time:** 1 ms at 10% to 90% range

Long-term stability typ. < 0.1 % FS **Humidity limits:** 0 to 98% RH

Vibration sensitivity 10g at 5 Hz to 500 Hz **Shock resistance:** 50 g

Temperature range -40 °C to 100 °C / -40 °F to 210 °F **Protection class:** IP5K4

Housing 303 stainless steel, 1.4305



Dimensions	Maximum pressure	Pressure range	Order number	Order number
height Ø	pressure	range	number	number
mm mm	bar	mbar / bar	4 ... 20 mA	0 ... 10V

with SST sensor		G1/8, gauge pressure SST 1.4305, with connector	D9A	D9V	
65	22	1	0 ... 350 mbar	D9A- C3	D9V- C3
		2	0 ... 1 bar	D9A- 01	D9V- 01
		4	0 ... 2 bar	D9A- 02	D9V- 02
		10	0 ... 5 bar	D9A- 05	D9V- 05
		16	0 ... 10 bar	D9A- 10	D9V- 10
		30	0 ... 16 bar	D9A- 16	D9V- 16
		35	0 ... 20 bar	D9A- 20	D9V- 20
		60	0 ... 35 bar	D9A- 35	D9V- 35



D9

Special options add the appropriate letter

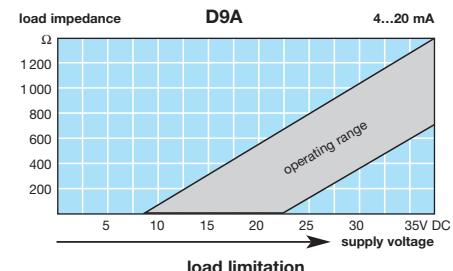
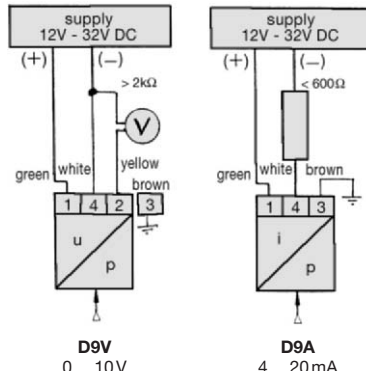
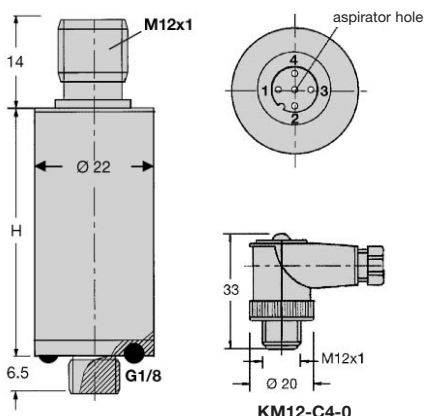
- special calibration** indicate pressure range on order
- absolute pressure** from 1 bar upwards
- thread G 1/4**
- thread G 3/8**
- angle connector** M12x1, 4-pin
- angle connector** with 2 m cable
- straight connector** with 2 m cable
- other cable lengths** indicate on order, e.g. 10 m

Accessoires

- XX** D...-XX
- A** D...-A
- F** D...-F
- G** D...-G
- KM12-C4-0**
- KM12-C4-2**
- KM12-A4-2**
- KM12-A4-10**



KM12-C4-0



For your information:	1 bar: 14.5 psi	1 l/min: 0.035 scfm	1 mm: 0.039 inch	1 mbar: 0.4 inch H ₂ O	1 mbar: 0.01 m H ₂ O
	1 psi: 0.069 bar	1 scfm: 28.3 l/min	1 inch: 25.4 mm	1 inch H ₂ O: 2.5 mbar	1 m H ₂ O: 98 mbar

Order example:
D9A - 10