

Description	The pressure transducer converts pneumatic pressure into a proportional electrical signal for use in computers and microprocessors etc. Type D4A is a 2-wire pressure current transducer. Type D4V is a 3-wire pressure voltage transducer.	
Operation	Pressure to the unit is continuously monitored by a high-performance miniature silicon semi-conductor transducer, and converted to a proportional voltage or current signal.	
Media	Any non-ionic, non-corrosive media compatible with aluminium, silicon and glass.	
Supply voltage	9 to 32V (D4A) and 12 to 32V (D4V), maximum load current of source: 2 mA	
Outlet signal	4 ... 20 mA: power consumption 260 mW	0 ... 10V: power consumption, no load: max. 9.5 mA
Linearity/Hysteresis	typ. < 0.2 % FS < 0.5% FS max.	Supply effect: < 0.002% F.S./V of span and zero
Repeatability	typ. < 0.1 % FS < 0.2% FS max.	Outlet noise: < 0.04 % FS at 0<f<1kHz
Temperature effect	typ. < 0.02% FS / °C < 0.05% FS / °C	Response time: 1 ms at 10% to 90% range
Long-term stability	typ. < 0.5 % FS	Humidity limits: 0 to 100% RH
Vibration sensitivity	2g at 5 Hz to 500 Hz	Shock resistance: 50 g
Temperature range	-40 °C to 100 °C / -40 °F to 210 °F operating temp.	Protection class: IP65 according to DIN 40050
Housing	aluminium	

**0.5% accuracy
for compressed air**

Dimensions			Maximum pressure	Pressure range	Order number with outlet signal	
height	width	depth	bar	mbar / bar	4 ... 20 mA	0 ... 10V
mm	mm	bar	bar			

Pressure transducer G ^{3/8}				gauge pressure with plug	D4A	D4V
133	50	34	1.4	0 ... -1 bar	D4A - V0	D4V - V0
			1.4	0 ... -350 mbar	D4A - V3	D4V - V3
			1.4	-1 ... +1 bar	D4A - V1	D4V - V1
			1.4	-350 ... 350 mbar	D4A - V4	D4V - V4
			1.4	-70 ... 70 mbar	D4A - V7	D4V - V7
			1.4	0 ... 70 mbar	D4A - B7	D4V - B7
			1.4	0 ... 350 mbar	D4A - C3	D4V - C3
			2	0 ... 1 bar	D4A - 01	D4V - 01
			2	0.2 ... 1 bar	D4A - D1	D4V - D1
			4	0 ... 2 bar	D4A - 02	D4V - 02
			10	0 ... 5 bar	D4A - 05	D4V - 05
			10	0 ... 6 bar	D4A - 06	D4V - 06
			16	0 ... 10 bar	D4A - 10	D4V - 10
			30	0 ... 16 bar	D4A - 16	D4V - 16
			30	0 ... 20 bar	D4A - 20	D4V - 20

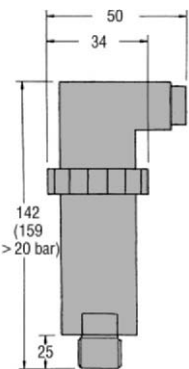
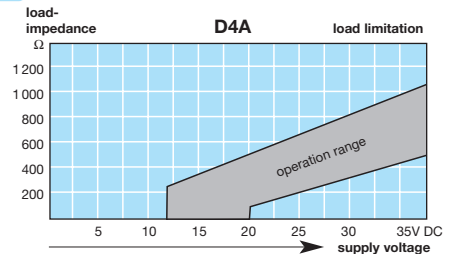


**D4A - 10
pressure transducer**

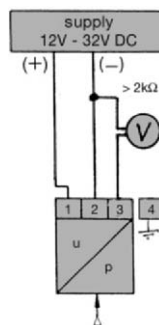


Special options add the appropriate letter or number

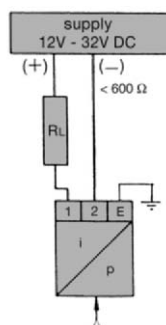
absolute pressure		0A	D4 . . . 0A
special calibration	indicate on order	XX	D4 . . . XX
thread G^{1/4}		02	D4 . . . 02
thread G^{1/2}		04	D4 . . . 04



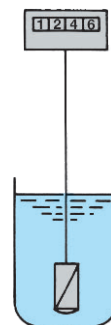
D4



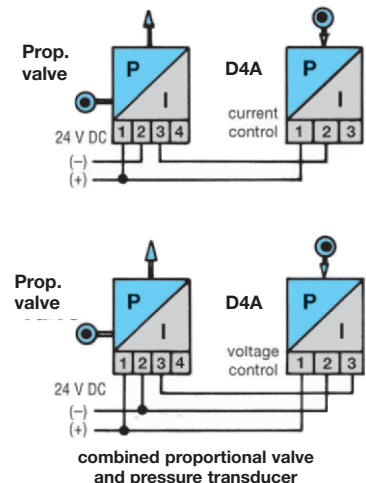
**D4V
0 ... 10V**



**D4A
4 ... 20 mA**



**example
level measurement**



**combined proportional valve
and pressure transducer**

For your information:	1 bar: 14.5 psi	1 l/min: 0.035 scfm	1 mm: 0.039 inch	1 mbar: 0.4 inch H ₂ O	1 mbar: 0.01 m H ₂ O
	1 psi: 0.069 bar	1 scfm: 28.3 l/min	1 inch: 25.4 mm	1 inch H ₂ O: 2.5 mbar	1 m H ₂ O: 98 mbar

**Order example:
D4A - 10**