

"Maxi" Pressure Regulator

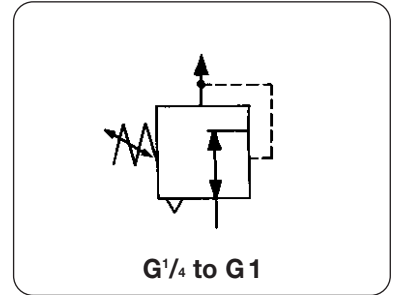
R20

Standard



2

Description	High-capacity regulator of modular design with exchangeable inserts.		
Adjustment	Plastic knob, tamper-proof, snap-lock, removable, T-handle with counter nut as option.		
Pressure range	0.2 to 1.8 bar, 3 to 25 psi,	0.2 to 4 bar, 3 to 60 psi,	0.3 to 9 bar, 4 to 125 psi, 0.5 to 17 bar 7 to 250 psi
Supply pressure	max. 21 bar / 300 psi		
Relieving	standard, non-relieving as option		
Gauge port	1/4" on both sides of the body		
Temperature range	-30 °C to 70 °C / -22 °F to 150 °F		
Materials	Body: zinc Spring cage: zinc	Knob: acetal Piston: Celcon	Inner valve: brass O-ring: NBR (Buna N)



Dimensions			K _v -value (m ³ /h)	Flow rate		Connection thread G	Pressure range bar	Order number
H	B	C		m ³ /h*	l/min*			

"Maxi" pressure regulator						supply max. 21 bar, relieving adjusting knob with snap-lock	R20		
89	162	38	3.3	240	4000	G ^{1/4}	0.2... 1.8 0.2... 4 0.3... 9 0.5... 17	R20-02A R20-02B R20-02C R20-02D	
89	162	38	4.2	300	5000	G ^{3/8}	0.2... 1.8 0.2... 4 0.3... 9 0.5... 17	R20-03A R20-03B R20-03C R20-03D	
89	162	38	5.2	370	6200	G ^{1/2}	0.2... 1.8 0.2... 4 0.3... 9 0.5... 17	R20-04A R20-04B R20-04C R20-04D	
111	162	38	6.0	430	7200	G ^{3/4}	0.2... 1.8 0.2... 4 0.3... 9 0.5... 17	R20-06A R20-06B R20-06C R20-06D	
111	162	38	6.3	450	7500	G1	0.2... 1.8 0.2... 4 0.3... 9 0.5... 17	R20-08A R20-08B R20-08C R20-08D	

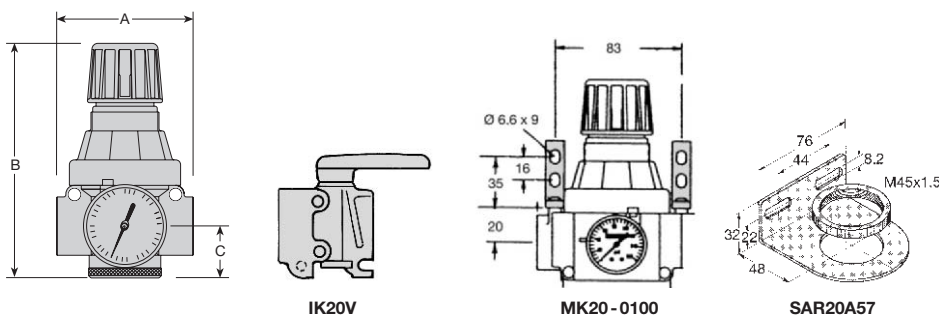


Special options add the appropriate letter

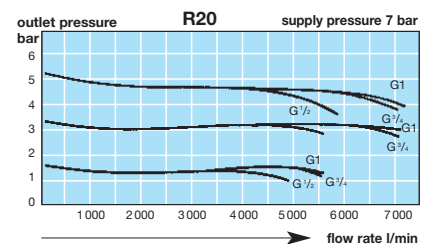
T-handle	including counter nut	
pressure gauge	Ø63, G ^{1/4} , loose	
non-relieving		
NPT thread		
plastic nut	R10X51	
aluminium nut	R10X51A	
mounting bracket	SAR20A57	fixed on spring cage
set of brackets	MK20-0100	fixed on side of thread
insert kit	bolt + O-ring	G ^{1/4} IK20Y,
	bolt + O-ring	G ^{1/2} IK20A,
	bolt + O-ring	
combination kit	connection of two units	
porting block	G ^{1/4} , for unlubricated air	
shut-off valve	3-way lockable	

Accessories

1	R21-0..
G	R20-0..G
K	R20-0..K
N	R20-0..N
P	R20-0..P
Q	R20-0..Q
X	R20-0..X
Y	R20-0..Y
G ^{3/8}	IK20X
G ^{3/4}	IK20B
G1	IK20C
	IK20CC
	IK20CP
	IK20V



* at 7 bar supply pressure and 6 bar outlet pressure



For your information:	1 bar: 14.5 psi 1 psi: 0.069 bar	1 l/min: 0.035 scfm 1 scfm: 28.3 l/min	1 mm: 0.039 inch 1 inch: 25.4 mm	Pressure gauge: Please consult chapter "Gauges"
------------------------------	-------------------------------------	---	-------------------------------------	--

Order example:
R20-06C