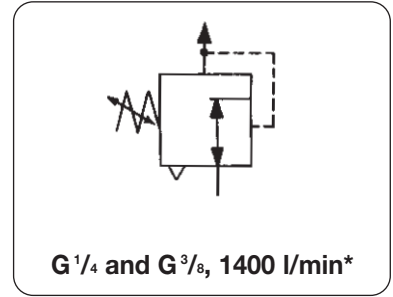


Precision Pressure Regulator without Air Consumption

R100

Description	Provides precision regulation in high flow and high relief applications. A sensitive convoluted diaphragm and balanced inner valve assure constant outlet pressure even with changing supply pressure and flow fluctuations.	
Supply pressure	max. 18 bar / 250 psi	
Flow capacity	1400 l/min / 50 scfm at 7 bar / 100 psi supply and 1.4 bar / 20 psi set pressure	
Exhaust capacity	200 l/min / 7 scfm at 0.3 bar / 4 psi above setpoint	
Air consumption	no constant bleed	Outlet pressure change: < 7 mbar / 0.1 psi for 7 bar / 100 psi supply fluctuation
Sensitivity	1.2 mbar / 0.5" W.C.	Temperature range: -20 °C to 70 °C / -4 °F to 160 °F media
Materials	Body: zinc Diaphragm: NBR (Buna N) and Dacron	Inner valve: aluminium, brass, neoprene, steel



Dimensions			Supply pressure	Flow rate	Connection thread	Pressure range	Order number
height	width	depth	bar	l/min*	G	bar	
mm	mm	mm					

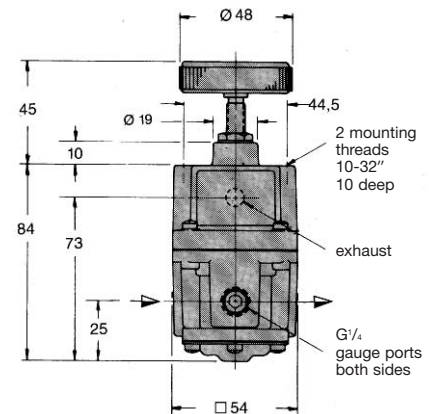
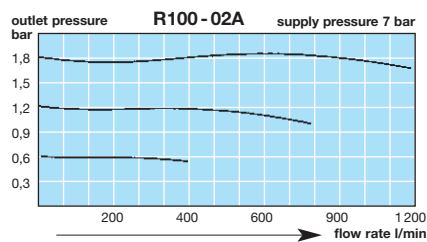
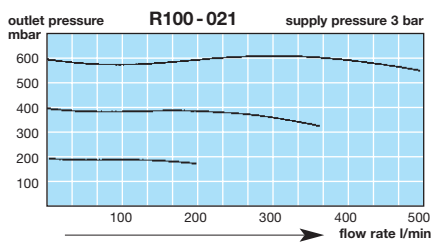
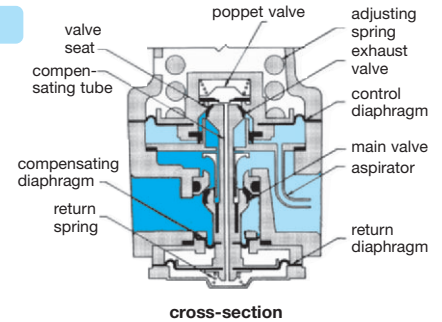
Precision pressure regulator			no constant bleed, supply max. 18 bar,	K _v : 0.73 (m³/h) relieving	R100		
129	54	54	18	1300	G ^{1/4}	0.03...0.7	R100-021
						0.03...2	R100-02A
						0.07...4	R100-02B
						0.14...10	R100-02C
129	54	54	18	1400	G ^{3/8}	0.03...0.7	R100-031
						0.03...2	R100-03A
						0.07...4	R100-03
						0.14...10	R100-03C



R100-02C

Special options add the appropriate letter

pressure gauge	Ø 63, loose	G	R100-0 . . G
tamper-proof cap		T	R100-0 . . T
NPT thread		N	R100-0 . . N



*1 at 7 bar supply pressure and 1.4 bar outlet pressure

For your information:	1 bar: 14.8 psi	1 l/min: 0.035 scfm	1 mm: 0.039 inch
	1 psi: 0.069 bar	1 scfm: 28.3 l/min	1 inch: 25.4 mm

Order example:
R100-02C