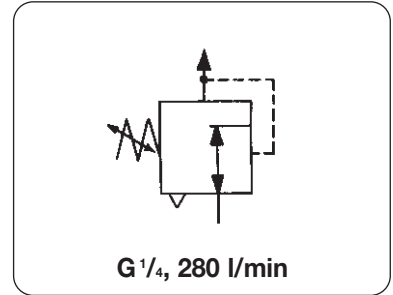


# Precision Pressure Regulator

11-818

<b>Description</b>	Precision pressure regulator designed for precise pressure control in the event of disturbances in flow and supply pressure.
<b>Media</b>	Air or dry gases, oil-free, filtered to over 25 µm.
<b>Supply pressure</b>	11-818-999: max.8 bar/120 psi, 11-818-100: max. 10 bar/150 psi, 11-818-110: max. 14 bar/200 psi
<b>Flow capacity</b>	280 l/min / 10 scfm at 7 bar / 100 psi supply pressure and 1.4 bar / 20 psi outlet pressure
<b>Relieving</b>	high sensitivity and flow
<b>Air consumption</b>	max. 2 l/min / 0.07 scfm constant bleed
<b>Gauge port</b>	1/2" only for regulator 11-818-987/991/993
<b>Accuracy</b>	max. 20 mbar pressure drop with varying supply pressure, max. 30 mbar with varying flow
<b>Temperature range</b>	-10 °C to 70 °C / 14 °F to 160 °F
<b>Materials</b>	Zinc, brass and NBR (Buna N)



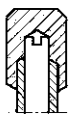
Description	Supply pressure max. bar	Flow rate l/min*	Connection thread G	Pressure range bar	Order number
-------------	-----------------------------	---------------------	------------------------	-----------------------	--------------

Precision pressure regulator	accuracy 30 mbar, K <sub>v</sub> = 0.15 (m <sup>3</sup> /h), constant bleed			11-818	
handwheel w/o gauge port	8	280	G <sup>1</sup> / <sub>4</sub>	0.02...0.5	11-818-999
	10			0.07... 4	11-818-100
	14			0.4 ... 10	11-818-110
handwheel gauge port G <sup>1</sup> / <sub>4</sub>	8	280	G <sup>1</sup> / <sub>4</sub>	0.02...0.5	11-818-987
	10			0.07... 4	11-818-993
	14			0.4 ... 10	11-818-991
spindle	8	280	G <sup>1</sup> / <sub>4</sub>	0.02...0.5	11-818-998
	10			0.07... 4	11-818-101
	14			0.4 ... 10	11-818-112

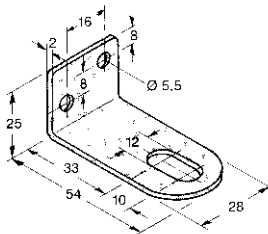


11-818-100

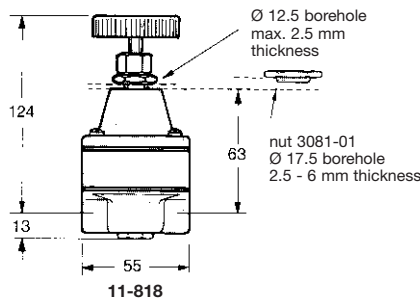
Special options	add the appropriate letter	Accessories	
lockable	with key	A	11-818-... A
tamper-proof cap	639-02 threaded over spindle	T	11-818-... T
panel mounting nut	3081-01 metal thickness 2.5 - 6 mm	P	11-818-... P
mounting bracket	SA-11.818 (D500 159 014)	X	11-818-... X



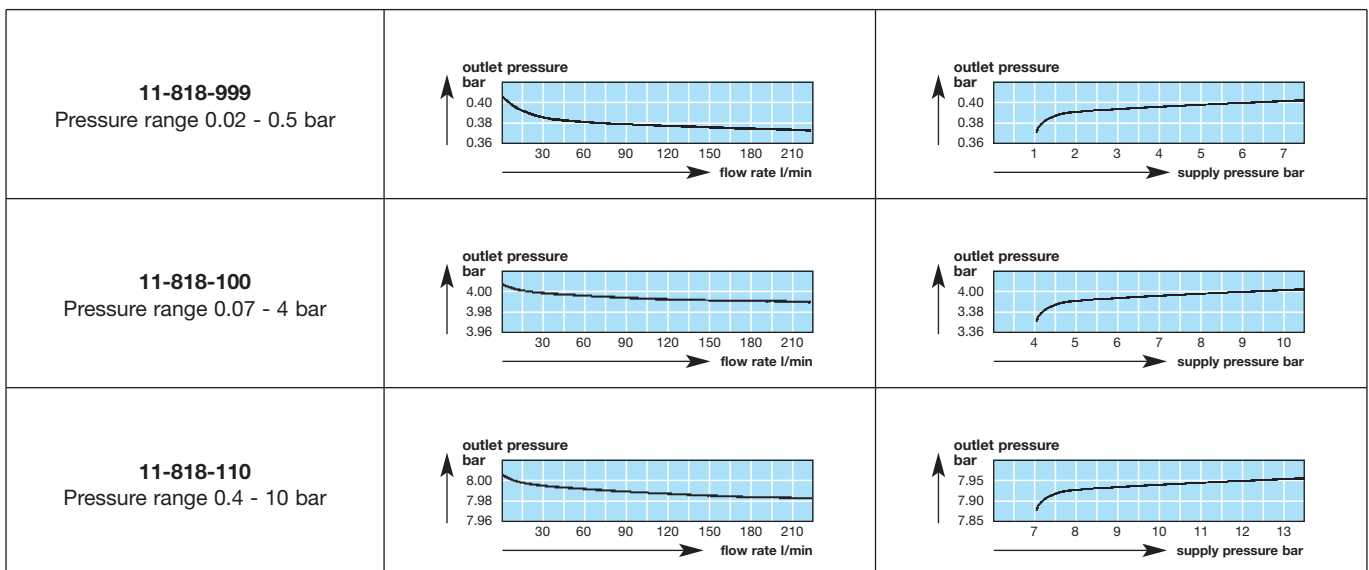
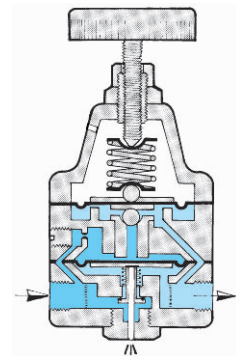
tamper-proof cap



mounting bracket



11-818



\* at 7 bar supply pressure and 1.4 bar outlet pressure

<b>For your information:</b>	1 bar: 14.8 psi	1 l/min: 0.035 scfm	1 mm: 0.039 inch
	1 psi: 0.069 bar	1 scfm: 28.3 l/min	1 inch: 25.4 mm



**Order example:**  
11-818-100