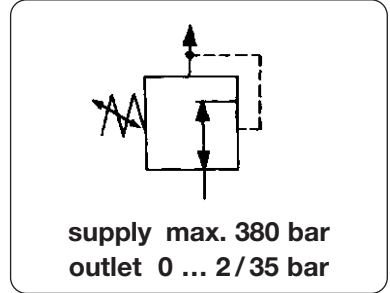


Brass High Pressure Regulator for 380 bar

RHB



Description	High pressure regulator for up to 380 bar inlet pressure and up to 35 bar outlet pressure. Made of brass, nickel-plated as option. The seat is mounted in a block that can be rotated up to 4 times for easier maintenance.		
Media	Compressed air, gases or liquids, depending on material		
Relieving	Non-relieving		
Pressure	max. 380 bar inlet pressure. NB. according to CE-Norm max. 200 bar for Gas 1.		
Temperature Range	-40 °C to 106 °C / -40 °F to 225 °F		
Materials	Body, bonnet, bottom plug: brass	Seat: nylon or CTFE	
	Tamper-resistant cover: brass	Valve spring: 17-7 ^{PH} stainless steel	
	Diaphragm: 302 stainless steel	Seal: NBR / nitrile	



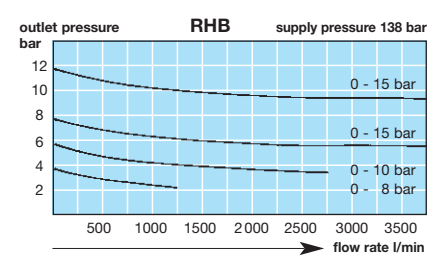
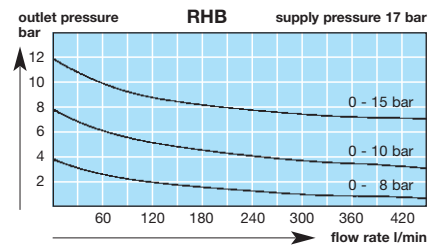
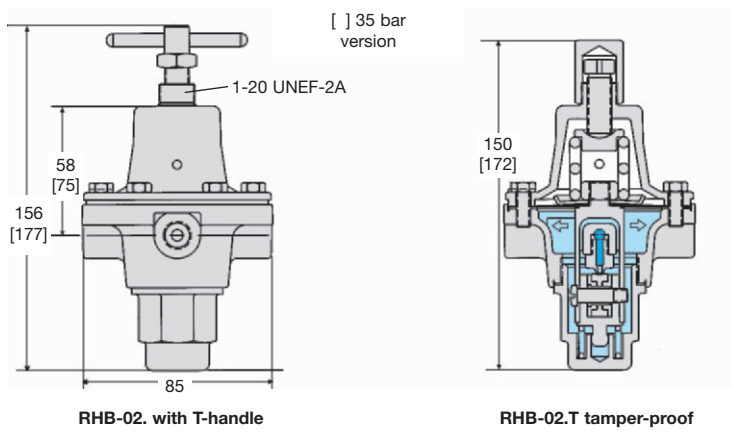
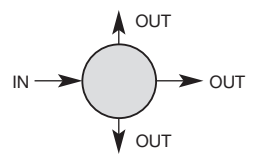
Dimensions	K _v -value	Flow rate	Connection thread	Pressure range	Order Number
height	∅				
mm	mm	(m ³ /h)	NPT	bar	

Pressure regulator 380 bar*2				1/4" NPT, brass, non-relieving,	T-handle nylon seat	RHB
156	85	0.13	4000	1/4" NPT	0 ... 2 bar	RHB-02A
					0 ... 4 bar	RHB-02B
					0 ... 8 bar	RHB-02C
					0 ... 10 bar	RHB-02D
					0 ... 15 bar	RHB-02E
177	85	0.13	4000	1/4" NPT	0 ... 35 bar	RHB-02F



Special options add the appropriate letter

nickel-plated	electroless nickel-plated	V	RHB-02.V
tamper-proof	hexagonal spindle with cap	T	RHB-02.T
CTFE seat		1	RHB-02.1



*1 at P₁: 138 bar and P₂: 10 bar *2 max. 200 bar for Gas 1

For your information:	1 bar: 14.5 psi	1 l/min: 0.035 scfm	1 mm: 0.039 inch
	1 psi: 0.069 bar	1 scfm: 28.3 l/min	1 inch: 25.4 mm

Order example:
RHB-02D