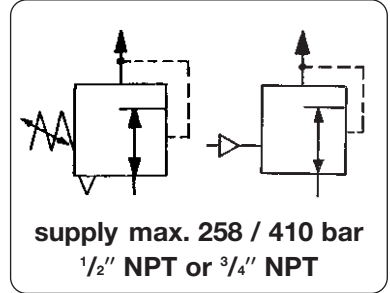




Description	High pressure regulator and volume booster with high flow and high reliability. Large piston sensor for high sensitivity and balanced stem design for constant downstream pressure.	
Media	All gases and liquids compatible with construction materials	
Relieving	Relieving as standard on regulator. Non-relieving as standard on volume booster	Non-relieving as option on regulator
Proof pressure	max. 150% of operating pressure Burst pressure max. 400% of operating pressure	Leakage: bubble-tight
Ports	1/4" NPT as standard, 3/4" NPT as option 1/4" NPT for gauge inlet / outlet as option	Flow rate: 2.0 m³/h
Temperature range	-25 °C to 75 °C / -15 °F to 165 °F operating, ambient and media temperature	
Materials	Body: brass or stainless steel as option Main valve seat: PCTFE, except 20 bar: Teflon Relieving valve: PCTFE, except 20/69 bar: Teflon	Elastomers: Viton, Teflon, PCTFE Inner valve: brass and Teflon or stainless steel Gasket: PCTFE

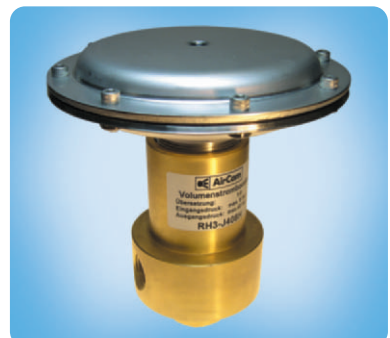


Dimensions	Body	K _v -value	Dome loaded with ratio	Pressure range	Order number
height width		m³/h	signal: outlet	bar	
mm mm					

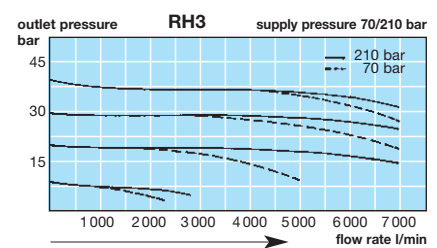
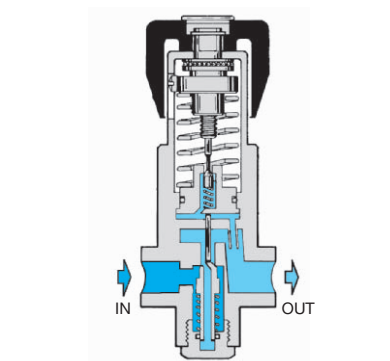
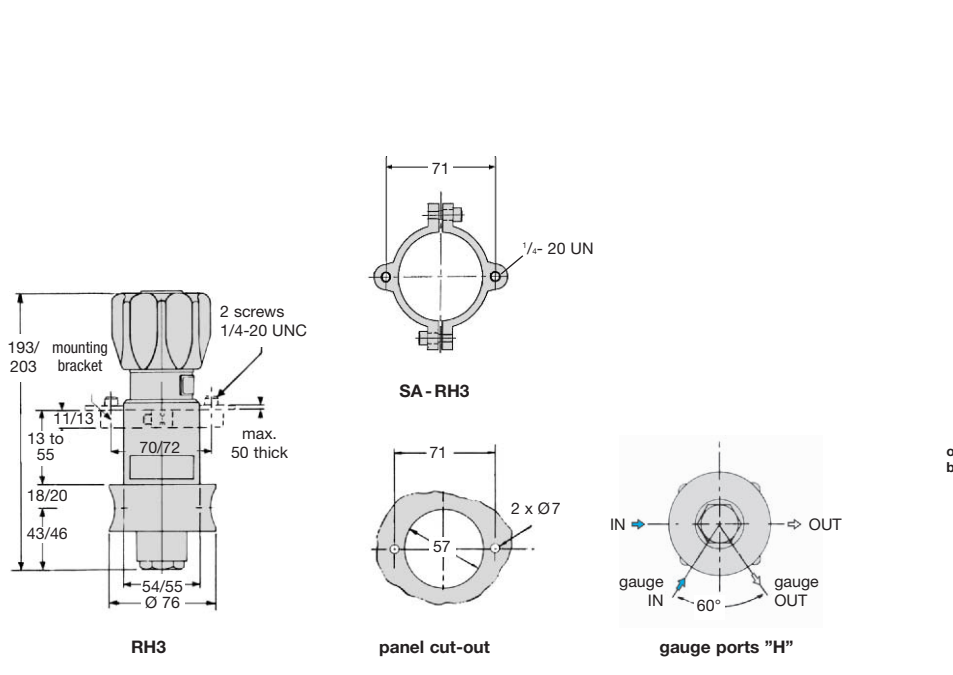
High pressure regulator 258 bar			1/2" NPT, relieving, without gauge port	RH3
203	76	brass	1.7	2... 20 bar RH3-04B
				3... 42 bar RH3-04C
				5... 70 bar RH3-04D
				10...104 bar RH3-04E



Volume booster 258 bar			1/2" NPT, non-relieving, without gauge port	RH3-J
		brass	1.7	3 ... 42 bar RH3-J402
				5 ... 70 bar RH3-J404
				3 ... 42 bar RH3-J408
				5 ... 70 bar RH3-J413
				10 ...104 bar RH3-J419



Special options add or change the appropriate letter or number				
3/4" NPT port	inlet / outlet		6	RH3- .6 .
SST, 310 bar	316 SST		S	RH3- . . .S
SST, 410 bar	303 SST, K _v : 0.7		T	RH3- . . .T
brass, 345 bar	K _v : 0.7		U	RH3- . . .U
non-relieving	only regulator RH3		K	RH3- . . .K
gauge port	1/4" NPT inlet / outlet		H	RH3- . . .H
mounting bracket	SA-RH3		X	RH3- . . .X



For your information:	1 bar: 14.5 psi	1 l/min: 0.035 scfm	1 mm: 0.039 inch
	1 psi: 0.069 bar	1 scfm: 28.3 l/min	1 inch: 25.4 mm

Order example:
RH3-06C