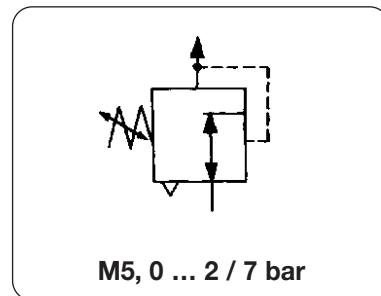




Miniature Pressure Regulator \varnothing 25

RA

Description	Piston-operated regulator of small dimensions with good flow characteristics.		
Adjustment	Plastic knob, tamper-proof, snap-lock, removable		
Supply pressure	max. 10 bar	Test pressure max. 15 bar	
Gauge port	R 1/16" on both sides	gauge with 1/16" - M5 reduction	
Temperature range	5 °C to 60 °C / 40 °F to 140 °F ambient	-20 °C to 70 °C / -4 °F to 160 °F storage	
Material	Body: zinc die-casting, paint finish Diaphragm: NBR (Buna N)	O-ring: NBR (Buna N)	Piston: brass / NBR

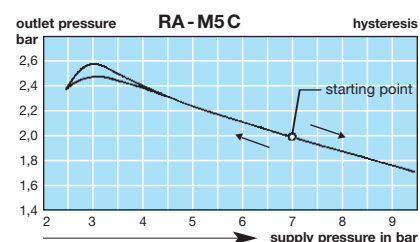
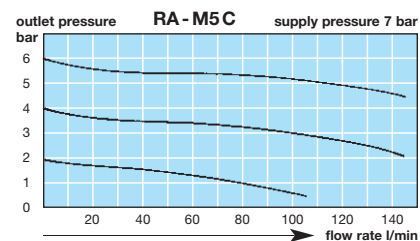
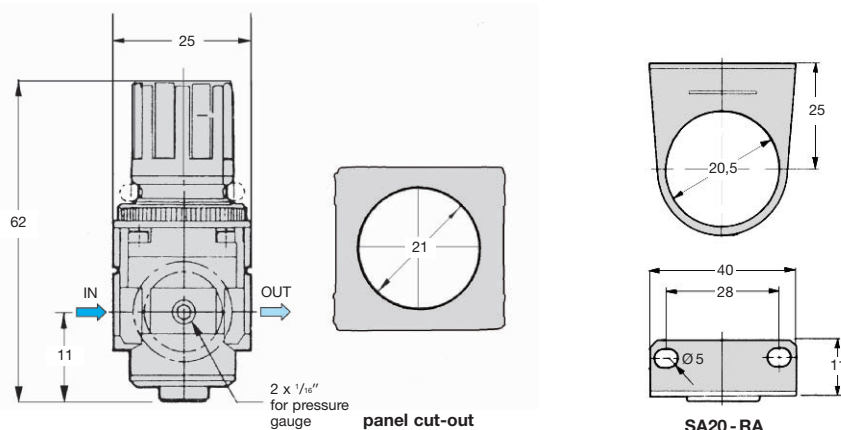
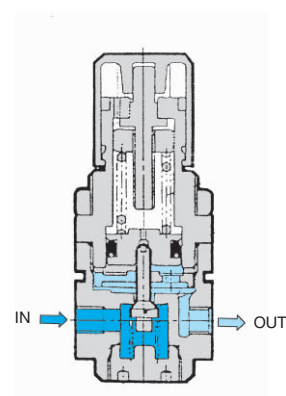


Dimensions		Flow rate	Relieving	Pressure range	Order number
width	height				
mm	mm	l/min*	with / without	bar	

Miniature pressure regulator		supply max. 10 bar	without constant bleed	RA
\varnothing 25	62	100	with	0.2 ... 2 bar RA - M5A 0.5 ... 7 bar RA - M5C
\varnothing 25	62	100	without	0.2 ... 2 bar RA - M5AK 0.5 ... 7 bar RA - M5CK



Special options		add the appropriate letter		
pressure gauge	MA23M5-04/-10	\varnothing 23, with reduction	G	RA - M5. G
mounting bracket	SA20-RA		X	RA - MX. X



* at 7 bar supply pressure and 4 bar outlet pressure

For your information:	1 bar: 14.5 psi	1 l/min: 0.035 scfm	1 mm: 0.039 inch
	1 psi: 0.069 bar	1 scfm: 28.3 l/min	1 inch: 25.4 mm

Order example:
RA - M5A