

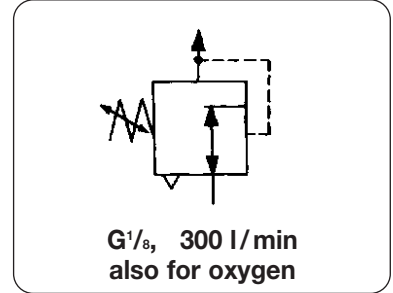
# Precision Pressure Regulator without constant bleed

R309

Miniature



<b>Description</b>	Precision pressure regulator with high precision inner valve and sensitive convoluted diaphragm. Of proven reliability and durability and designed for precise pressure regulation in the event of disturbances in flow, supply pressure or temperature. With very high capacity relief valve.		
<b>Flow capacity</b>	300 l/min / 10 scfm	<b>K<sub>v</sub>-value :</b>	0.17 (m <sup>3</sup> /h)
<b>Supply pressure</b>	max. 10 bar	<b>Air consumption:</b>	none
<b>Gauge port</b>	not available	<b>Exhaust capacity:</b>	100 l/min at 0.3 bar above setpoint
<b>Temperature range</b>	-10 °C to 60 °C / 14 °F to 140 °F		
<b>Materials</b>	Body: brass	Inner valve: brass	Elastomer: NBR / Buna N



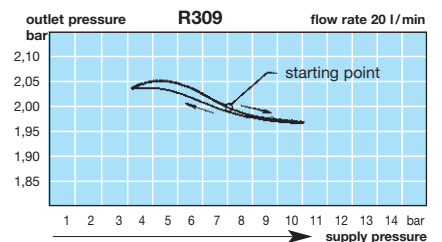
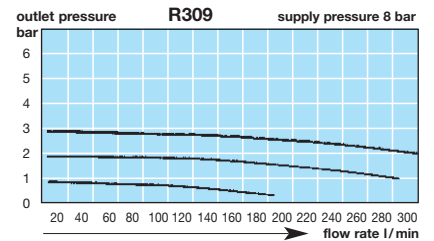
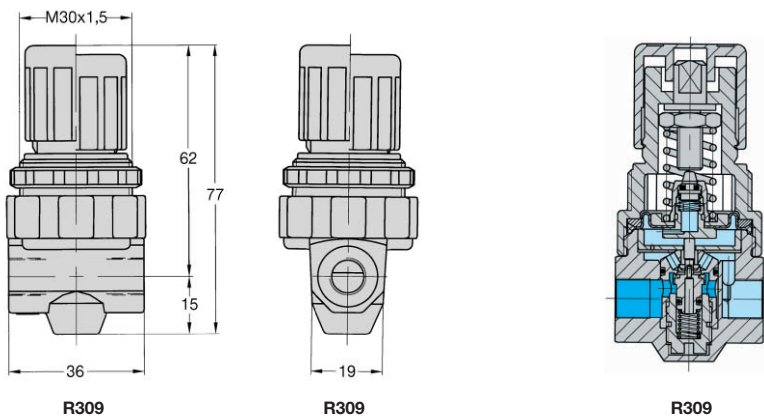
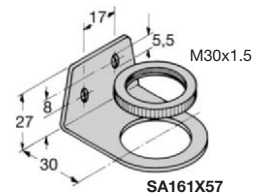
Dimensions			Supply pressure	Flow rate	Connection thread	Pressure range	Order number
H	W	D	bar	l/min*	G	bar	
mm	mm	mm					

Precision pressure regulator relieving, without constant bleed							K <sub>v</sub> -value: 0.17 (m <sup>3</sup> /h), brass body	R309
77	36	34	10	300	G <sup>1</sup> / <sub>8</sub>	0 ... 1	R309-01A	
						0 ... 3	R309-01B	
						0 ... 6	R309-01C	
						0 ... 10	R309-01D	



R309

Special options add the appropriate letter				Accessories
mounting bracket	SA161X57	plastic nut included	X	R309-01.X
plastic nut	R05X51	M30x1.5	P	R309-01.P
aluminium nut	R05X51A	M30x1.5	Q	R309-01.Q
brass nut	SM-R309	M30x1.5	M	R309-01.M



\* at 8 bar supply pressure and 3 bar outlet pressure

<b>For your information:</b>	1 bar: 14.5 psi	1 l/min: 0.035 scfm	1 mm: 0.039 inch
	1 psi: 0.069 bar	1 scfm: 28.3 l/min	1 inch: 25.4 mm

**Order example:**  
R309-01B