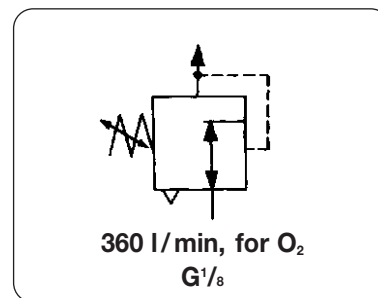




# Plastic Miniature Precision Pressure Regulator $\nabla$ 30

R307

<b>Description</b>	Precision pressure regulator, diaphragm-operated, plastic, without air consumption. Tamper-proof knob. Excellent for portable systems thanks to small size and light weight of only 70 g. The regulator is suitable for oxygen and air.	
<b>Gauge port</b>	1/8" on both sides of the regulator, plug supplied	
<b>Flow rate</b>	360 l/min at 8 bar supply pressure, 3 bar outlet pressure and 1 bar pressure drop	
<b>Relieving</b>	standard for air, non-relieving as option for gases	<b>K<sub>v</sub>-value:</b> 0.21 (m <sup>3</sup> /h)
<b>Supply pressure</b>	max. 10 bar	
<b>Temperature range</b>	-10 °C to 60 °C / 14 °F to 140 °F ambient	-20 °C to 70 °C / -4 °F to 158 °F storage
<b>Materials</b>	Body: POM plastic Inner valve: brass	Diaphragm and elastomer: NBR



Dimensions			Supply pressure	Flow rate	Connection thread	Pressure range	Order number
H	W	D	max. bar	l/min*	G	bar	
mm	mm	mm					

Pressure regulator G <sup>1/8</sup>	supply max. 10 bar K <sub>v</sub> -value 0.21 (m <sup>3</sup> /h), relieving	R307					
64	30	30	10	360	G <sup>1/8</sup>	0...2.5 bar	R307-01B
						0...3.5 bar	R307-01C
						0...8 bar	R307-01D

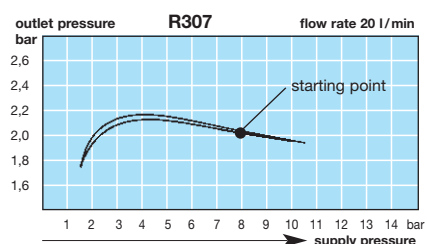
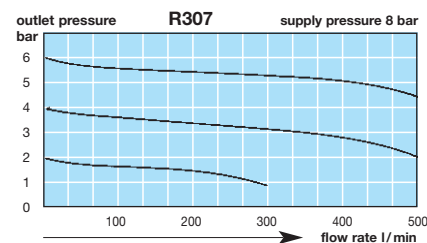
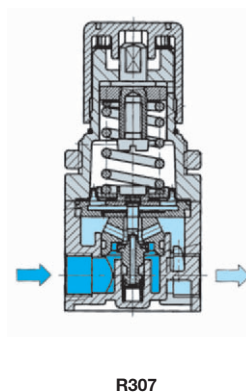
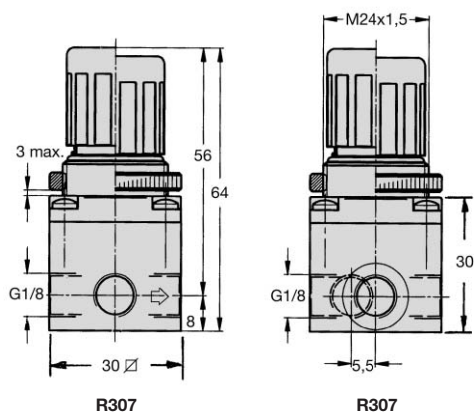


R307-01DGG  
with gauge and mounting nut

Special options	add the appropriate letter	Accessories
non-relieving	without exhaust	K R307-01 . K
pressure gauge	MA 23	Ø 23 G R307-01 . G
panel mounting nut	SM-R307 brass, M24x1.5	Q R307-01 . Q



SM-R307



\* at 8 bar supply pressure, 3 bar outlet pressure and 1 bar pressure drop

<b>For your information:</b>	1 bar: 14.5 psi	1 l/min: 0.035 scfm	1 mm: 0.039 inch
	1 psi: 0.069 bar	1 scfm: 28.3 l/min	1 inch: 25.4 mm

Order example:  
R307-01B