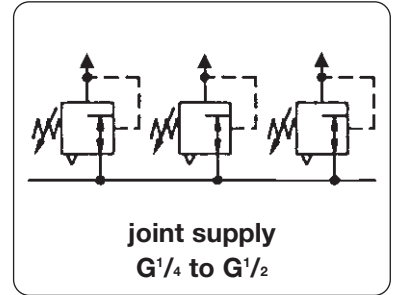


# Pressure Regulator for Battery with central supply

RB / R035

<b>Description</b>	Pressure regulator, diaphragm-operated, with joint pressure supply. Modular assembly without the need for double nipples or other fittings.			
<b>Mounting</b>	The regulator can be used for panel mounting in any position.			
<b>Supply pressure</b>	max. 16 bar			max. 10 bar for R035
<b>Relieving</b>	relieving as standard			non-relieving as option
<b>Temperature range</b>	0 °C to 60 °C / 32 °F to 140 °F for media		- 20 °C to 80 °C / -40 °F to 180 °F storage	
<b>Ports</b>	Joint supply port from the left or the right side of the battery. Outlet or gauge port from front or back.			
<b>Materials</b>	Body: zinc die-casting	R035: POM plastic	Valve / piston: brass	Knob / mounting nut: acetal
	O-ring: NBR			



Dimensions					Flow rate l/min*	Connection thread			Pressure range bar	Order number
H	∅	B	C	X		supply	out	gauge		
mm	mm	mm	mm	mm		G	G	G		

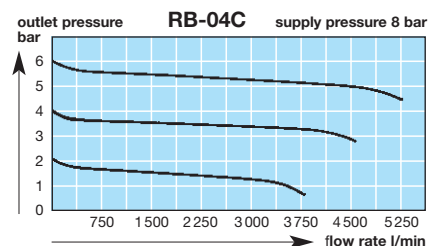
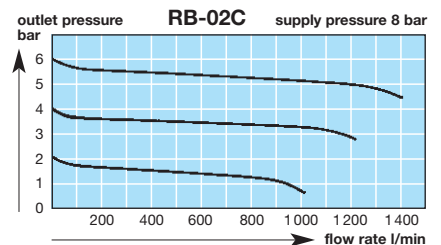
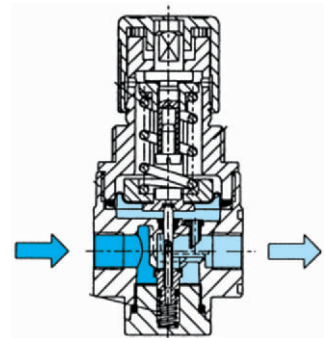
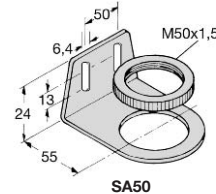
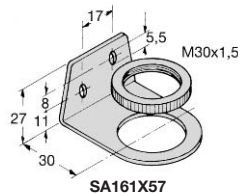
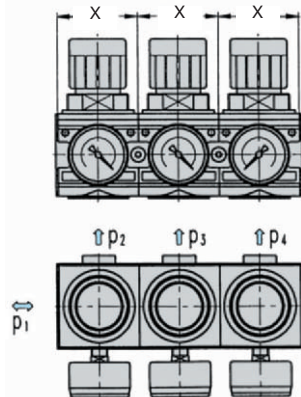
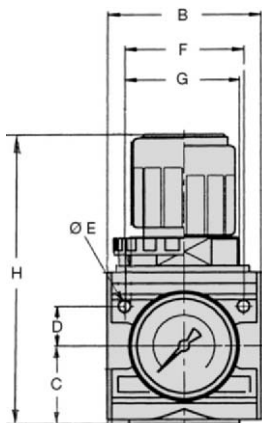
## Regulator with joint supply supply max.10 bar: R035 supply max.16 bar: RB **R035 / RB**

61	36	12	36	250	G <sup>1</sup> / <sub>8</sub>	G <sup>1</sup> / <sub>8</sub>	G <sup>1</sup> / <sub>8</sub>	0... 6	<b>R035-01RB</b>
84	40	12	40	1 000	G <sup>1</sup> / <sub>4</sub>	G <sup>1</sup> / <sub>4</sub>	G <sup>1</sup> / <sub>8</sub>	0... 3 0... 6 0...10	<b>RB-02B</b> <b>RB-02C</b> <b>RB-02D</b>
94	48	22	45	2 100	G <sup>1</sup> / <sub>4</sub>	G <sup>1</sup> / <sub>4</sub>	G <sup>1</sup> / <sub>4</sub>	0... 3 0... 6 0...10	<b>RB-A2B</b> <b>RB-A2C</b> <b>RB-A2D</b>
114	58	27	55	3 200	G <sup>3</sup> / <sub>8</sub>	G <sup>3</sup> / <sub>8</sub>	G <sup>1</sup> / <sub>4</sub>	0... 3 0... 6 0...10	<b>RB-03B</b> <b>RB-03C</b> <b>RB-03D</b>
133	70	36	66	4 000	G <sup>1</sup> / <sub>2</sub>	G <sup>1</sup> / <sub>2</sub>	G <sup>1</sup> / <sub>4</sub>	0... 3 0... 6 0...10	<b>RB-04B</b> <b>RB-04C</b> <b>RB-04D</b>

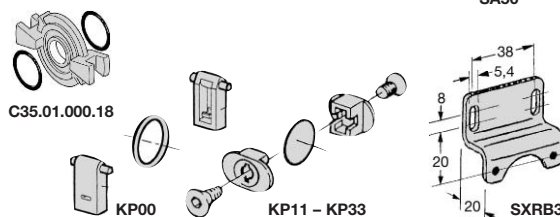


## Special options add the appropriate letter

<b>pressure gauge</b>	∅23	for RB-02:	∅40	for RB-A2	<b>G</b>	RB-03 . <b>G</b>
	∅40	for RB-03:	∅50	for RB-04	<b>G</b>	RB-04 . <b>G</b>
<b>connector kit</b>	KP00	for RB-02:	KP11	for RB-A2	<b>Z</b>	RB-A2 . <b>Z</b>
	KP22	for RB-03:	KP33	for RB-04	<b>Z</b>	RB-04 . <b>Z</b>
	C35.01.000.18			for R035	<b>Z</b>	R035 . . <b>Z</b>
<b>mounting nut</b>	R05X51	for RB-02:	and	for RB-A2	<b>P</b>	RB-02 . <b>P</b>
	SM42	for RB-03:	and	for RB-04	<b>P</b>	RB-04 . <b>P</b>
<b>mount. bracket and nut</b>	SA161X57	for RB-02:	and	for RB-A2	<b>X</b>	RB-02 . <b>X</b>
	SXR3	for RB-03:	and	for RB-04	<b>X</b>	RB-04 . <b>X</b>



Regulator	C	D	E	F	G
R035	12	8	3.5	20	M12x1
RB-02	22	-	-	-	M30x1.5
RB-A2	27	12	4.4	36	M30x1.5
RB-03	27	-	-	-	M42x1.5
RB-04	36	18	5.5	54	M50x1.5



\* at 8 bar supply pressure, 6 bar outlet pressure and 1 bar pressure drop

<b>For your information:</b>	1 bar: 14.5 psi	1 l/min: 0.035 scfm	1 mm: 0.039 inch
	1 psi: 0.069 bar	1 scfm: 28.3 l/min	1 inch: 25.4 mm

**Order example:**  
**RB-02B**