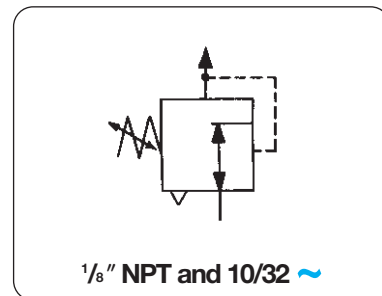




# Micro Pressure Regulator

MAR

<b>Description</b>	Piston-operated compact pressure regulator with special seals for applications with air, gases or liquids. Specifically designed for the chemical industry.		
<b>Adjustment</b>	Knurled wheel with max. 12 turns full range	Plastic plunger with 2 mm full range	
<b>Flow capacity</b>	120 l/min / 4.2 scfm at 6 bar supply pressure		
<b>Relieving</b>	standard, non-relieving as option		
<b>Supply pressure</b>	max. 21 bar / 300 psi	<b>Gauge port</b>	no orifice
<b>Temperature range</b>	-35 °C to 110 °C / -31 °F to 230 °F		
<b>Materials</b>	Body: brass Seals: NBR (Buna N), Viton or EPDM as option	<b>Air consumption</b>	no constant bleed
		Spindle:	stainless steel
		Spring:	stainless steel



Description	Connection supply	Thread for outlet	Pressure range bar	Order number
	1/8" NPT	10-32 female	bar	

Regulator with male thread	relieving, 120 l/min* supply max. 21 bar			MAR-1P
relieving	1/8" male	10/32	0.2...1.4 0.2...3.5 0.2...7	MAR-1P-20 MAR-1P-50 MAR-1P
non-relieving	1/8" male	10/32	0.2...1.4 0.2...3.5 0.2...7	MAR-1PNR-20 MAR-1PNR-50 MAR-1PNR



MAR-1 MAR-1P

Regulator with female thread	relieving, 120 l/min* supply max. 21 bar			MAR-1
relieving	10/32	10/32	0.2...1.4 0.2...3.5 0.2...7	MAR-1-20 MAR-1-50 MAR-1
non-relieving	10/32	10/32	0.2...1.4 0.2...3.5 0.2...7	MAR-1NR-20 MAR-1NR-50 MAR-1NR

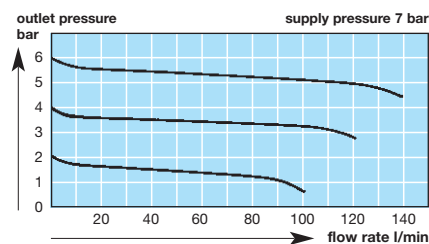
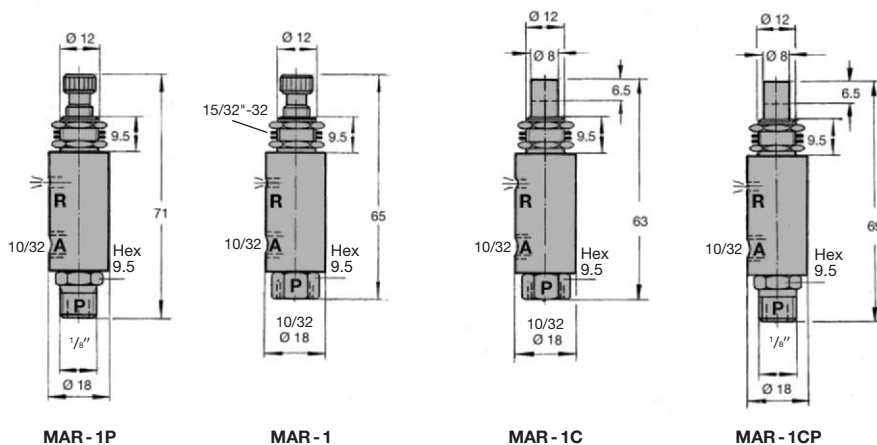


MAR-1CP MAR-1C

Plunger operated regulator	relieving, 120 l/min* supply max. 21 bar			MAR-1C
male thread	1/8" male	10/32	0.2...1.4 0.2...3.5 0.2...7	MAR-1CP-20 MAR-1CP-50 MAR-1CP
female thread	10/32	10/32	0.2...1.4 0.2...3.5 0.2...7	MAR-1C-20 MAR-1C-50 MAR-1C

## Special options add the appropriate letter

for oxygen	clean	FS	MAR-...-FS
nickel-plated	surface only	NP	MAR-...-NP
chemical nickel-plated	throughout	ENP	MAR-...-ENP
FPM	Viton	VS	MAR-...-VS
EPDM		EP	MAR-...-EP



\* at 6 bar supply pressure and 5 bar outlet pressure

For your information:	1 bar: 14.5 psi	1 l/min: 0.035 scfm	1 mm: 0.039 inch
	1 psi: 0.069 bar	1 scfm: 28.3 l/min	1 inch: 25.4 mm

Order example:  
MAR-1P-FS