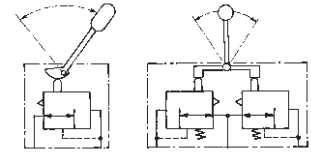


Lever-Operated Pressure Regulator

RN

Description Lever mechanism allows the regulator to operate as a proportional converter with pneumatic outlet signal. Moving the lever by 141° (RN1) or 32° (RN2) allows full-range adjustment of regulated pressure, e.g. 0 to 7 bar.

	RN1	RN2
Manual lever	at the side, range 0 - 141° without spring replacement	vertical, 2 x range 0 - 32° with or without spring replacement
Pressure regulation	0 - 141° / 0 - 3 bar or 0 - 10 bar	0 - 32° to each side / 0 - 7 bar to each side
Supply pressure	max. 16 bar	max. 10 bar
Temperature range	-40 °C to 80 °C / -40 °F to 180 °F	-20 °C to 70 °C / -4 °F to 160 °F
Materials	Body: nickel-plated, brass Elastomer: NBR or EPDM	Body: aluminium Elastomer: NBR



0...4 bar / 7 / 10 bar
G¹/₈ and G¹/₄

Dimensions	Description	Flow rate	Connection thread	Pressure range	Order number
H B T		l/min*1	G	bar	

Regulator with side lever						brass body, nickel-plated, 0 - 141° relieving, supply max. 16 bar	RN1
81	45	140	w/o spring replacement	300	G ¹ / ₄	0... 1 bar	RN1-02A
			w/o spring replacement	300	G ¹ / ₄	0... 3 bar	RN1-02B
			w/o spring replacement	300	G ¹ / ₄	0... 10 bar	RN1-02D

Regulator with vertical lever						aluminium body, 2 x 0 - 32° relieving, supply max. 10 bar	RN2
205	70	35	central position w. spring	200	G ¹ / ₈	0... 7 bar	RN2-01ZC
			central stop	200	G ¹ / ₈	0... 7 bar	RN2-01RC
91	50	35	on-off switch*2	200	G ¹ / ₈	max. 20 bar	RN2-01EIN

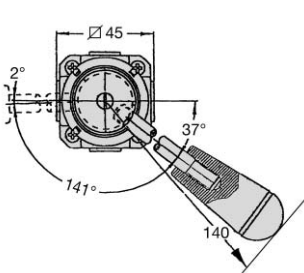
Special options	add the appropriate letter		Accessories	
for oxygen	clean	only for RN1	O	RN1-02 . O
EPDM elastomer	non-relieving	only for RN1	E	RN1-02 . E



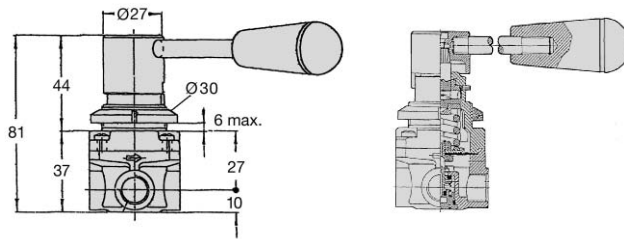
RN1



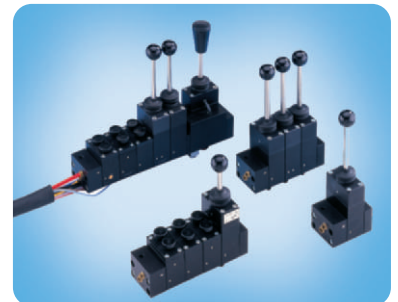
RN2-01ZC RN2-01EIN



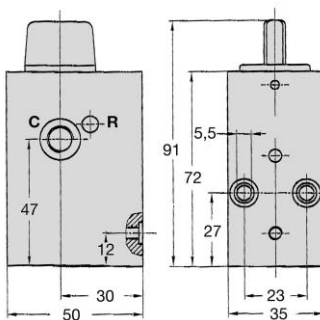
RN1



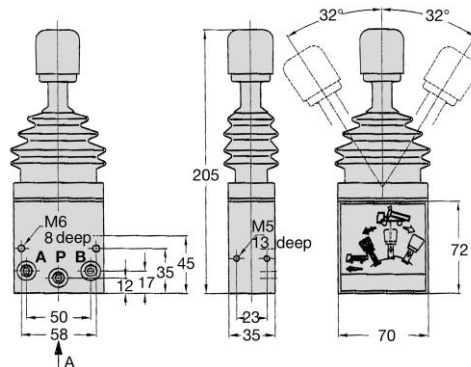
cross-section RN1



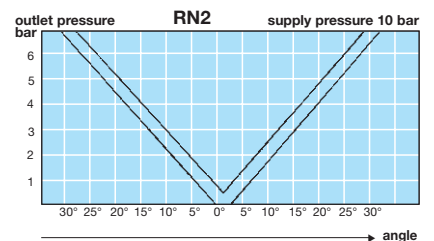
RN special applications



RN2-01EIN



RN2-01.C



*1 at 7 bar supply pressure and 6 bar outlet pressure

*2 only in combination with RN2 regulator

- | | | |
|-------------|---|---|
| RN2: | ● also available with 3/2 or 5/2 valves | ● combination with electrical switch possible |
| | ● also available with pushbuttons | ● further variations on request |

Order example:
RN1-02D