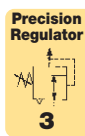
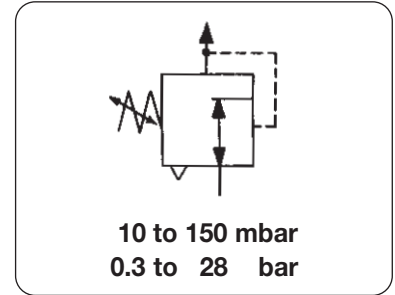


Description	Provides precision regulation in high flow applications. A balanced inner valve, sensitive convoluted diaphragm and carefully positioned aspirator tube ensure constant outlet pressure even with changing supply pressure and flow fluctuations.	
Supply pressure	max. 17 bar / 250 psi for range up to 14 bar,	max. 35 bar / 500 psi for range 21 bar and 35 bar
Flow capacity	1200 l/min / 42 scfm at 7 bar / 100 psi supply and 1.4 bar / 20 psi set pressure	
Exhaust capacity	110 l/min / 4 scfm at 0.3 bar / 4 psi above setpoint	
Air consumption	0 to 6 l/min / 0 to 12 scfh, depending on outlet pressure	Sensitivity: 2 mbar
Temperature range	-20 °C to 70 °C / -4 °F to 160 °F at NBR (Buna N)	-20 °C to 90 °C / -30 °F to 200 °F at Viton
Materials	Body: aluminium die-casting Diaphragm: NBR (Buna N) and polyester	Inner valve: stainless steel, brass, acetal, plated steel Knob: phenolic plastic



Dimensions			Flow rate	Supply pressure	Pressure range	Order number
Height	Width	Depth				
mm	mm	mm	l/min**	max. bar	bar	

Precision pressure regulator G ¹ / ₄						R230
high flow rate, high relieving, with constant bleed						K _v = 0.7 (m ³ /h)
154	76	76	900	17	0.01... 0.15	R230 - 020
154	76	76	900	17	0.01... 0.7	R230 - 02A
154	76	76	900	17	0.01... 2	R230 - 02B
154	76	76	900	17	0.07... 4	R230 - 02C
154	76	76	900	17	0.14...10	R230 - 02D
154	76	76	900	17	0.2 ...14	R230 - 02E
154	76	76	900	35	0.3 ...21	R230 - 02F
154	76	76	900	35	0.3 ...28	R230 - 02G



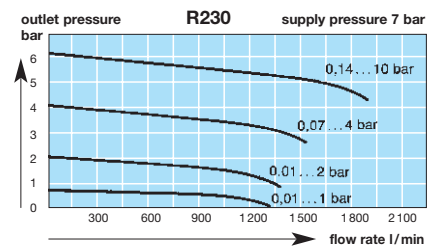
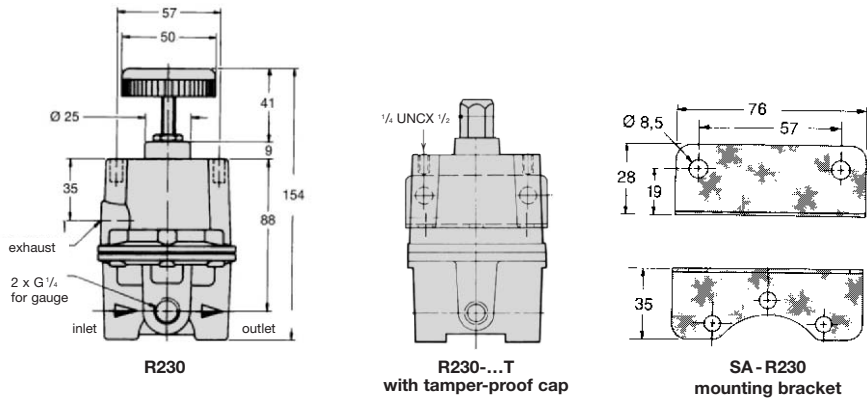
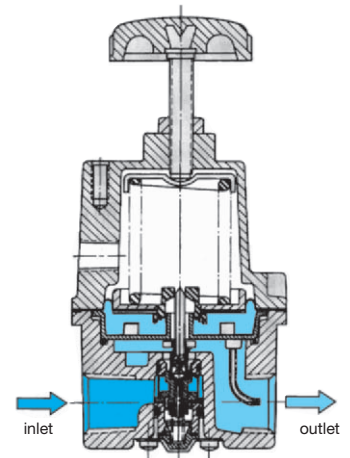
precision pressure regulator R230

Special options add the appropriate letter

- ports G³/₈
- ports G¹/₂
- non-relieving no constant bleed
- tapped exhaust connection
- reduced constant bleed
- tamper-proof cap EA - 12165
- for oxygen clean, silicon-free
- integrated check valve for regulators up to 14 bar*²
- silicone elastomer
- Viton elastomer -20 °C to 90 °C
- NPT thread
- mounting bracket SA - R230, loose

Accessories

- 03 R230 - 03 .
- 04 R230 - 04 .
- K R230 - 0 . .K
- E R230 - 0 . .E
- B R230 - 0 . .B
- T R230 - 0 . .T
- SC R230 - 0 . .KSC
- C R230 - 0 . .C
- A R230 - 0 . .A
- V R230 - 0 . .V
- N R230 - 0 . .N
- X R230 - 0 . .X



*1 at 7 bar supply pressure and 6 bar outlet pressure

*2 the regulator relieves at high speed if supply pressure is switched off

For your information:	1 bar: 14.8 psi	1 l/min: 0.035 scfm	1 mm: 0.039 inch
	1 psi: 0.069 bar	1 scfm: 28.3 l/min	1 inch: 25.4 mm

Order example:
R230 - 02 C