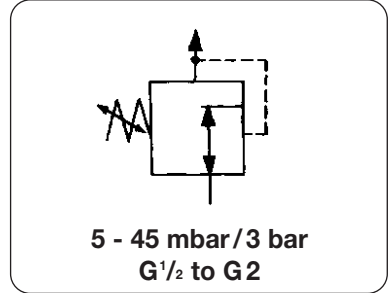




Description	Low pressure regulator with large diaphragm for good accuracy and high sensitivity. Designed especially for regulating low pressures and high flows of air or corrosive gases.		
Media	Compressed air or neutral gases, as standard, for many corrosive gases as option		
Supply pressure	max. 6 bar / 90 psi, min. 500 mbar / 7.5 psi		
Gauge port	1/2" on both sides of body	Air consumption:	no constant bleed
Relieving	Non-relieving	Installation position:	anywhere
Temperature range	0 °C to 70 °C / 32 °F to 160 °F		0 °C to 85 °C / 32 °F to 185 °F storage
Materials	Body/cage: aluminium, brass or SST as option Inner valve: brass, for NH: stainless steel Diaphragm: NBR (Buna N) Teflon and NBR for O ₂ , CO ₂ , NH ₃	Valve seat:	NBR for O ₂ ; Viton EPDM for C ₂ H ₂ , CO ₂

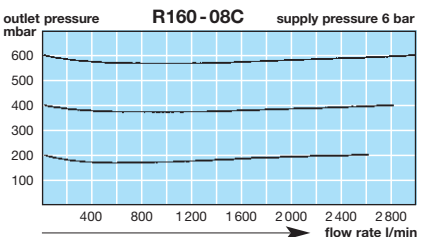
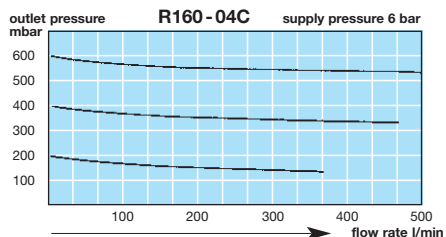
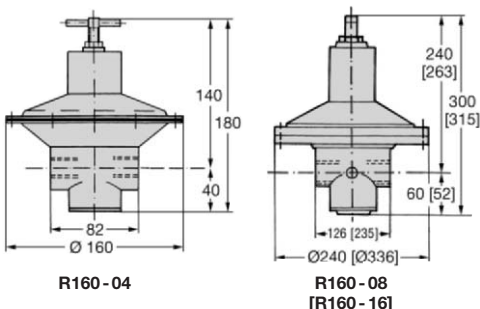


Dimensions		K _v -value	Flow rate		Connection thread	Pressure range	Order number
Height	Ø	value	m ³ /h*1	l/min*1	in / out	mbar	
mm	mm	(m ³ /h)					

Low pressure regulator for compressed air, without constant bleed supply max. 6 bar, non-relieving							R160
180	160	0.4	36	600	G ^{1/2} / G ^{3/4}	5... 45	R160-04A
						20... 200	R160-04B
						150... 700	R160-04C
300	240	1.8	180	3000	G1	20... 50	R160-08A
						50... 100	R160-08B
						100... 700	R160-08C
						700... 6000	R160-08D
315	336	5.7	480	8000	G2	20... 50	R160-16A
						50... 150	R160-16B
						150... 300	R160-16C
						300... 3000	R160-16D



Special options add the appropriate letter							
SST inner valve	5 - 45 mbar A / 200 mbar B / 700 mbar C	G ^{1/2}	02	R160-04 . 02			
for ammonia 02	20 - 50 mbar A / 100 mbar B / 700 mbar C	G1	02	R160-08 . 02			
	20 - 50 mbar A / 150 mbar B / 300 mbar C	G2	02	R160-16 . 02			
brass body							
for acetylene 19	8 - 200 mbar A / 1200 mbar D	G ^{1/4}	M	R160-02 M .			
for oxygen 15	5 - 45 mbar A / 200 mbar B / 700 mbar C	G ^{1/2}	M	R160-04 M .			
gauge	up to 400 mbar capsule G	all other: Bourbon tube	G	R160-... G			
PTFE diaphragm	Teflon		T	R160-... T			
other gases	argon Ar: 05 helium He: 09 carbon dioxide CO ₂ : 03			R160-... 03			
	methane CH ₄ : 13 propane C ₃ H ₈ : 16 hydrogen H ₂ : 11			R160-... 11			
flange connecton	DN15 (G ^{1/2})	DN25 (G1)	F	R160-... F			
		DN50 (G2)	F	R160-... 16 F			
mounting bracket	SA-R160	only G ^{1/2}	X	R160-04 . X			



*1 at 6 bar supply pressure and 1 bar outlet pressure
*2 pressure range dependent on valve seat e.g. R160-04BJ: 0 ... 200 mbar

For your information:	1 bar: 14.5 psi 1 psi: 0.069 bar	1 l/min: 0.035 scfm 1 scfm: 28.3 l/min	1 mm: 0.039 inch 1 inch: 25.4 mm	Pressure gauge: Please consult chapter "Gauges"
------------------------------	-------------------------------------	-------------------------------------------	-------------------------------------	----------------------------------------------------

Order example:
R160-04C