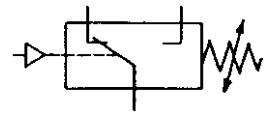


Description	Pressure and vacuum switch with electrical outlet signal. The microswitch satisfies UL and CSA regulations. Polysulfone of the body made by Amoco and approved by National Sanitation Foundation. Satisfies FDA regulations and is suitable for water and food products.		
Microswitch	Single pole, double throw, with cover		
Current rating	4 A and 250V AC 3 A and 250V AC		
Terminals	2.8 mm / .110" quick connect AA-2204, AA-1131, AA-2131 molex connector		
Repeatability	± 2% FS or 10 mbar / 0.15 psi, whichever is greater after 10 000 cycles		
Temperature range	4 °C to 66 °C / 40 °F to 150 °F		Switch time: 25 ms
Materials	Body: polysulfone	Spring: stainless steel	Other: nylon, acetal
	Diaphragm: polyurethane		



14 mbar... 7 bar
- 1 mbar...-1 bar

Description	Contact rating max. A	Hysteresis typ. mbar	Hysteresis max. mbar	Over-pressure max. bar	Adjustment range bar	Order number
-------------	-----------------------	----------------------	----------------------	------------------------	----------------------	--------------

Pressure & vacuum switch with low hysteresis 1/8" NPT F4300

pressure switch	3A	7	14	2	0.01 ... 0.14	F4300 - 2PT
	4A	14	24	2	0.03 ... 0.35	F4300 - 5PT
	4A	30	41	3	0.03 ... 1.0	F4300 - 15PT
	4A	40	70	4	0.03 ... 2.1	F4300 - 30PT
	4A	100	170	8	0.03 ... 4.2	F4300 - 60PT
	4A	140	240	8	0.07 ... 7.0	F4300 - 100PT
vacuum switch	4A	10	20	-1	-0.007 ... -0.17	F4300 - X 5PT
	4A	20	34	-1	-0.017 ... -0.34	F4300 - X 10PT
	4A	34	50	-1	-0.050 ... -1.00	F4300 - X 30PT

Special options add the appropriate letter

flush mounting	nylon nipple, Ø1/16", Ø2, standard	FM	F4300 - ... FM
panel mounting	nylon nipple, Ø1/16", Ø2, standard	PM	F4300 - ... PM
manifold mounting		MM	F4300 - ... MM
barbed fitting	nylon, Ø1/16", Ø2, only PM or FM	B80	F4300 - ... B80
	nylon, Ø1/8", Ø4, only PM or FM	B85	F4300 - ... B85
	PSU, Ø1/16", Ø2, only PM or FM	P80	F4300 - ... P80
	PSU, Ø1/8", Ø4, only PM or FM	P85	F4300 - ... P85
	0.1 A at 120 V AC	1B	F4300 - ... 1B
gold contact	±5% accuracy, indicate switchpoint on order	...X	F4300 - ... X
factory-set for oxygen	clean	O	F4300 - ... O



F4300 - ... PT



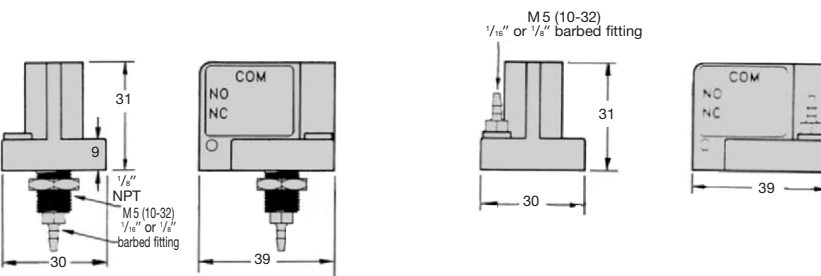
F4300 - ... FM



F4300 - ... PM

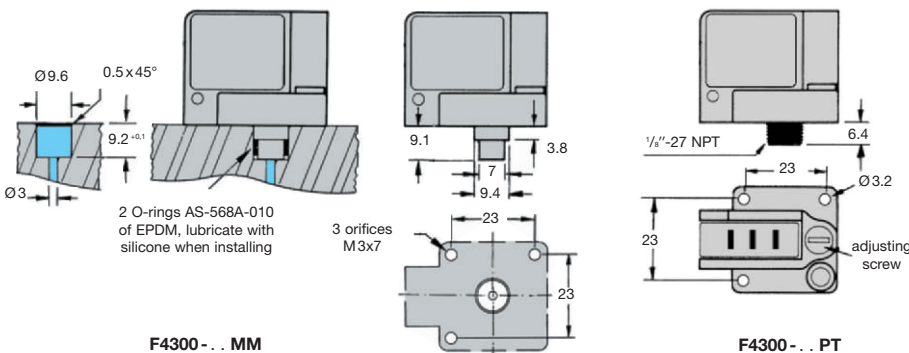


F4300 - ... MM



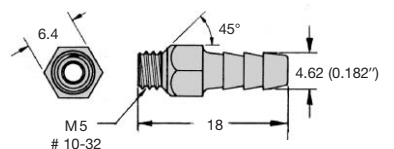
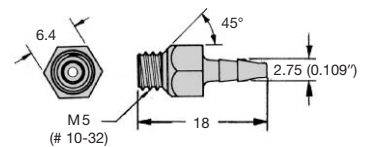
F4300 - ... PM

F4300 - ... FM



F4300 - ... MM

F4300 - ... PT



For your information:	1 bar: 14.5 psi	1 l/min: 0.035 scfm	1 mm: 0.039 inch	1 mbar: 0.4 inch H ₂ O	1 mbar: 0.01 m H ₂ O
	1 psi: 0.069 bar	1 scfm: 28.3 l/min	1 inch: 25.4 mm	1 inch H ₂ O: 2.5 mbar	1 m H ₂ O: 98 mbar



Order example:
F4300 - 100PT